

Ring voltage transformer

Plate mounting, High accuracy.



Product application

- Power industry
- Oil industry
- Military engineering
- Chemical industry

Product advantage

- Good stability
- Low noise
- Power is sufficient
- Small idle current

Product features

- single crystal copper enameled wire
- High quality iron core-Z11(annealing)
- PBT engineering plastics, Environmental protection, Flame retardant, 120 degrees without deformation
- Vacuum potting, 100 ° C / 6 hours high temperature aging, 20 years of life, High electric strength
- Reasonable structure, Easy to install, Low noise, Strong earthquake resistance, Sealed moisture

Typical technical index:

- Material of core——Silicon steel sheet
- Insulation grade: B grade (130℃)
- Operating temperature——-30℃~+70℃
- Frequency range——50Hz~60Hz
- Fair resistance: with UL94-V0
- Form test: Pri./Sec. 4KV_{max} AC/1min 5mA (The samples for it is destructive experiment of samples, not recommended for normal use)
- Factory test: Pri./Sec. 4KV_{max} AC/1s 5mA

Electrical parameters: (The following parameters are typical values and actual values will be subject to product testing)

Remarks:

Primary input voltage	110	220	380	400	660	690	V	Voltage fluctuation range ±20%
Secondary output voltage	5/10/100						V	Other voltage output can be customized
Power	4	/	7	/	10		VA	The greater the output impedance, the better
Accuracy	0.1	/	0.2	/	0.5		%	High accuracy and low power
Pri./Sec. Dielectric strength	4						KV	At least 5~7 times of the input voltage
Weight	2.45						kg	For reference only

Safe operation:

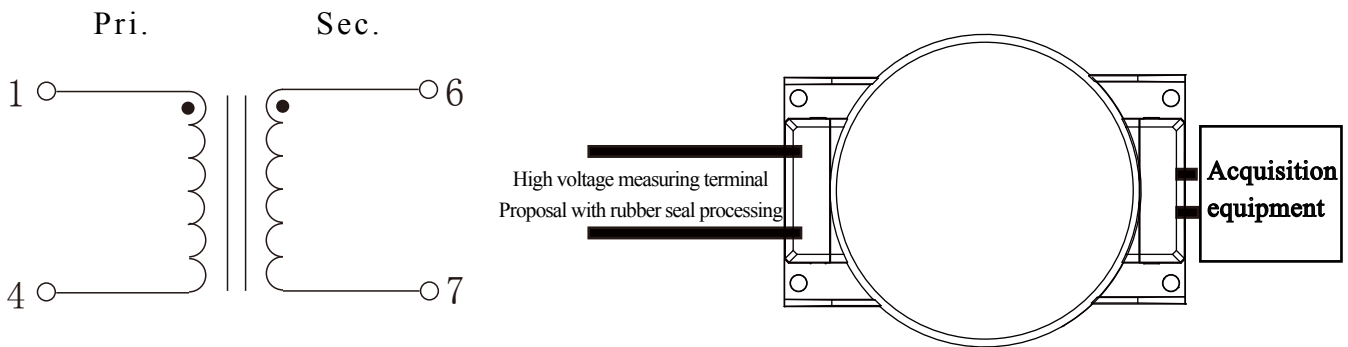
- *Please read this specification carefully before using the product.
- *When the product needs to be replaced, please be sure to power off and unplug all the connected parts.
- *If any damage is found to the housing, connecting cables, or connected equipment, please disconnect the device from the power supply immediately.
- *If running doubts about the safety of the equipment, all equipment must be switched off and the corresponding accessories, and in the fastest time of illness.

Statement:

As our products have been continuously improved and updated, we reserve the right to modify the contents of this specification without prior notice.

Wiring diagram:

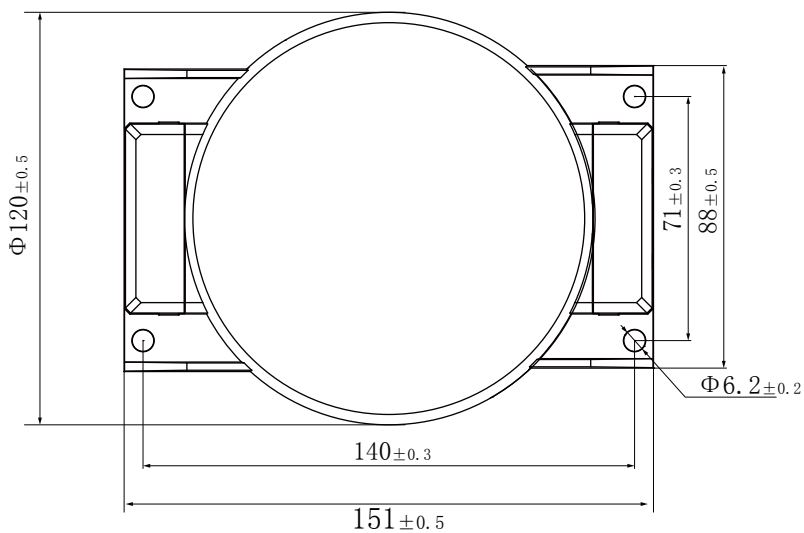
Application:



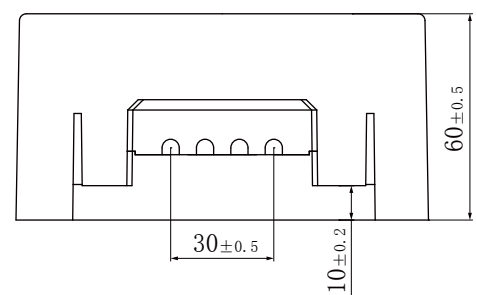
- That's the end of the same name

Secondary are not allowed to short circuit

Dimension:



Side view



Top View