

Model:TA3212W

Characteristics:

Lie the welding installation, Nanocrystalline core, overcurrent/ undercurrent measurement, Leakage current detection, current measurement, power monitoring.

Technical index:

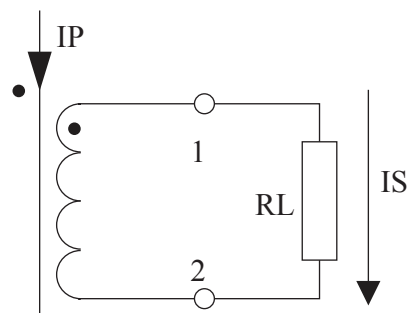
- Mounting type: PCB
- Material of the core: Nanocrystalline
- Flame resistance: UL94-V0
- Execution standard: GB1208-2006
- Operating temperature: $-20^{\circ}\text{C} \sim +75^{\circ}\text{C}$
- Storage temperature: $-30^{\circ}\text{C} \sim +80^{\circ}\text{C}$
- Frequency range: 20Hz-20KHz
- Dielectric strength: $\geq 3.5\text{KV}$ 50Hz 1min



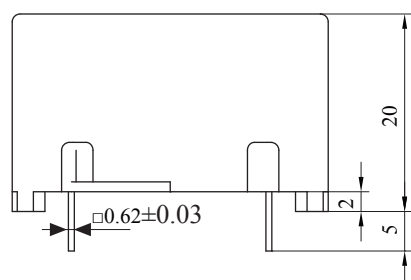
Electrical parameters:

Rated input	0-30	A
Max.input		A
Rated output	0-10	mA
Turns ratio	1: 3000	
Accuracy	± 1	%
Linearity	≤ 0.2	%
Phase difference		
max: Max. sampling resistance	400	Ω
Weight		g

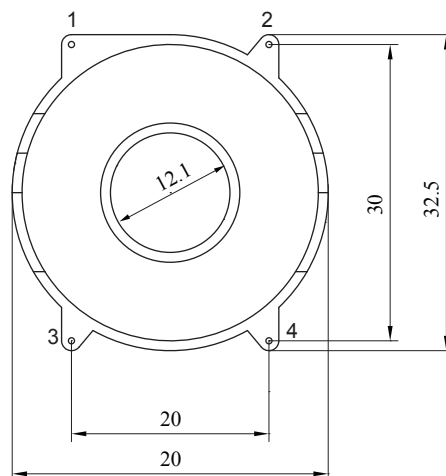
Schematic diagram:



Dimensions (in mm) :



Side view



Bottom view