

Through core type precision current transformer



Model:TA20FL-150

Characteristics:

Leading wire type. Both horizontal and vertical mounting modes are available. Electrical load current remote monitoring, as electric control system input signal, lack of phase indicating, electrical energy measuring, motor monitoring.

Technical index:

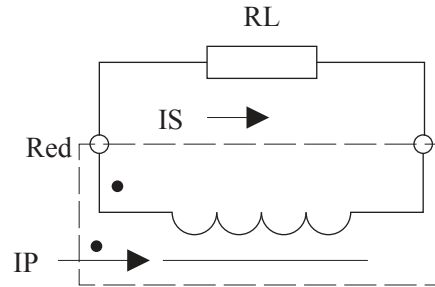
Mounting type: Plate mounting
 Material of the core: Nanocrystalline
 Flame resistance: UL94-V0
 Execution standard: GB1208-2006
 Operating temperature: $-20^{\circ}\text{C} \sim +75^{\circ}\text{C}$
 Storage temperature: $-30^{\circ}\text{C} \sim +80^{\circ}\text{C}$
 Frequency range: 20Hz-20KHz
 Dielectric strength: $\geq 3.5\text{KV } 50\text{Hz } 1\text{min}$



Electrical parameters:

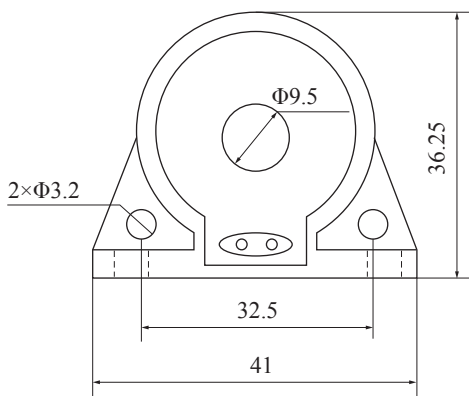
Rated input	0-30	A
Max.input	34	A
Rated output	0-20	mA
Turns ratio	1: 1500	
Accuracy	± 1	%
Linearity	≤ 0.2	%
Phase difference	$\leq 40'$	
max: Max. sampling resistance	500	Ω
Weight	42	g

Schematic diagram:

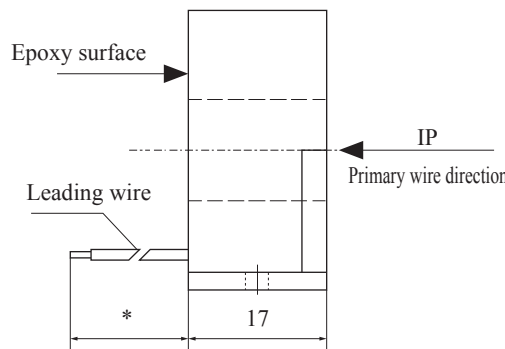


0.35mm² red and white high-temperature wire, lead 17cm

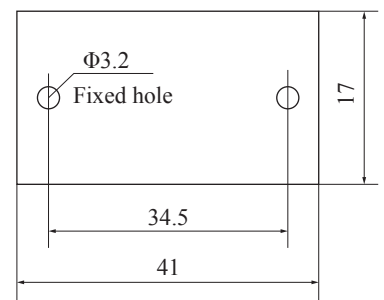
Dimensions (in mm) :



Front view



Side view



Bottom view