

# Through core type precision current transformer



Model:TA12L-200

## Characteristics:

Epoxy resin encapsulated, Nanocrystalline core, mini outline size, fully enclosed. Electrical load remote monitoring, as the input signal of electric control system, lack of phase indicating, electrical energy measuring, motor monitoring.

## Technical index:

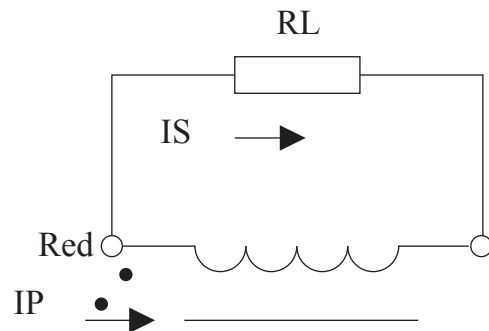
Mounting type: Suspended mounting  
 Material of the core: Nanocrystalline  
 Flame resistance: UL94-V0  
 Execution standard: GB1208-2006  
 Operating temperature: -20°C ~ +75°C  
 Storage temperature: -30°C ~ +80°C  
 Frequency range: 20Hz-20KHz  
 Dielectric strength:  $\geq 3.5\text{KV}$  50Hz 1min



## Electrical parameters:

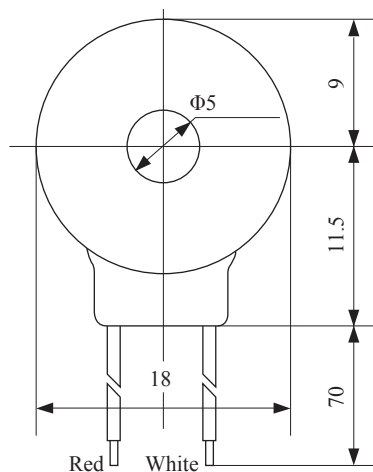
|                               |            |          |
|-------------------------------|------------|----------|
| Rated input                   | 0-5        | A        |
| Max.input                     | 5          | A        |
| Rated output                  | 0-2.5      | mA       |
| Turns ratio                   | 1: 2000    |          |
| Accuracy                      | $\pm 1$    | %        |
| Linearity                     | $\leq 0.2$ | %        |
| Phase difference              | $\leq 10'$ |          |
| max: Max. sampling resistance | 800        | $\Omega$ |
| Weight                        | 7.3        | g        |

## Schematic diagram:

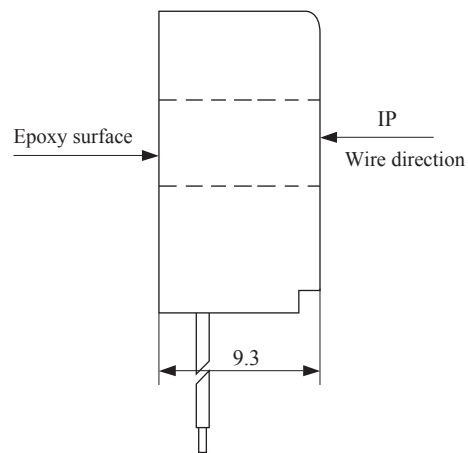


0.35mm<sup>2</sup> red and white high-temperature wire, lead 17cm

## Dimensions (in mm) :



Front view



Side view