

□ 160\*80mm Rectangular hole Split core current transformer



Front view



Opening view



Sub-plate mounting



Platen mounting

Accessories drawing

Accessories drawing

## Product features

- Rectangular hole
- Terminal output
- Sub-plate mounting/Platen mounting optional

## Product application

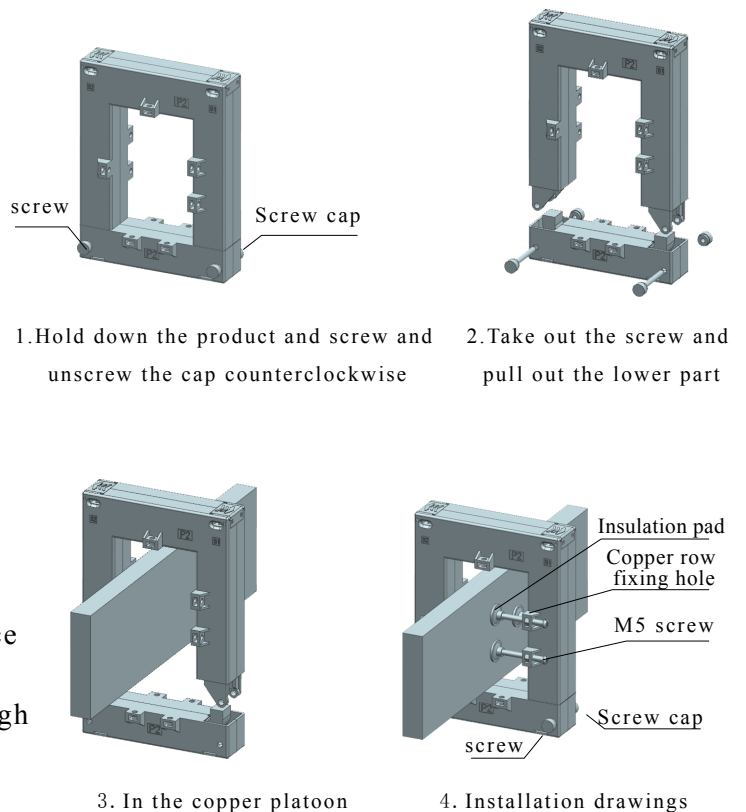
- Ac motor
- Lighting equipment
- Air compressor, etc. Current measurements
- Monitoring and protection
- Agricultural network renovation project

## Product advantage

- Adopt high permeability silicon steel, good linearity and high sensitivity
- Terminal design in high enough safe distance at both ends
- The end cover is of buckle structure with high mechanical strength
- Easy installation
- Various sizes available (other models of the same series)

## Installation diagram

Wearing copper platoon method at a time



**Typical technical index:**

- Material of core——Silicon steel sheet
- Working voltage——Phase voltage $\leq 720V$
- Working temperature—— $-20^{\circ}C \sim +60^{\circ}C$
- Storage temperature—— $-25^{\circ}C \sim +90^{\circ}C$
- Frequency range—— $50Hz \sim 60Hz$
- Dielectric strength——Output/shell AC 3.5KV/1min 5mA 50Hz
- Weight——4055g (For reference only)

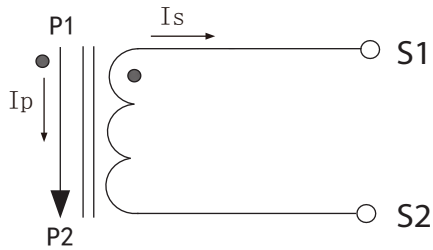
**Electrical parameters:** (The following parameters are typical values and actual values will be subject to product testing)

**Can be customized parameters**

	Input current A	Output current A	Rated output power VA			Number of turns
			0.5grade	1grade	3grade	
1A Output	1000A	1A	5	10	15	1
	1500A	1A	7.5	10	15	1
	2000A	1A	7.5	15	20	1
	2500A	1A	7.5	15	25	1
	3000A	1A	10	20	25	1
	4000A	1A	10	25	30	1
	5000A	1A	10	25	30	1
5A Output	1000A	5A	5	7.5	-	1
	1500A	5A	7.5	10	-	1
	2000A	5A	10	15	-	1
	2500A	5A	10	15	-	1
	3000A	5A	15	20	-	1
	4000A	5A	20	25	-	1
	5000A	5A	20	25	-	1

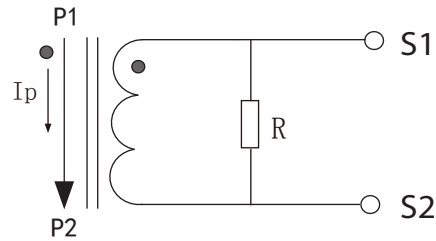
	Input current A	Output voltage V	Accuracy %	Sampling resistance $\Omega$	Load impedance $K\Omega$	Number of turns
0.333V Output	1000A	0.333V	1%	built-in	$>10K\Omega$	1
	1500A	0.333V				
	2000A	0.333V				
	2500A	0.333V				
	3000A	0.333V				
	4000A	0.333V				
	5000A	0.333V				

**Wiring schematic diagram:**



Current output type

Secondary are not allowed to short circuit



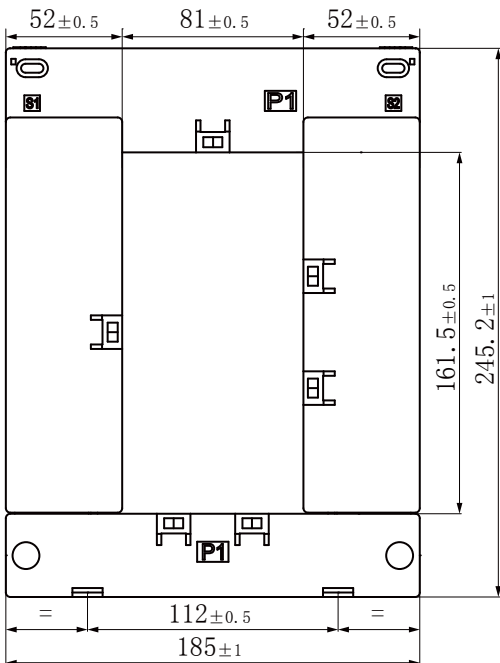
voltage output type

secondary is not allowed to open the way

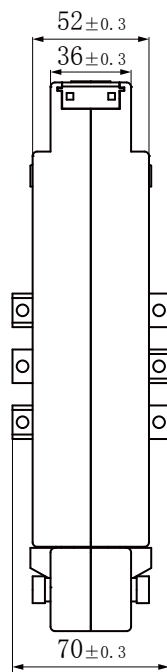
**Instructions:**

- 1.Primary threading direction: P1 → P2
- 2.Secondary output direction: S1 → S2

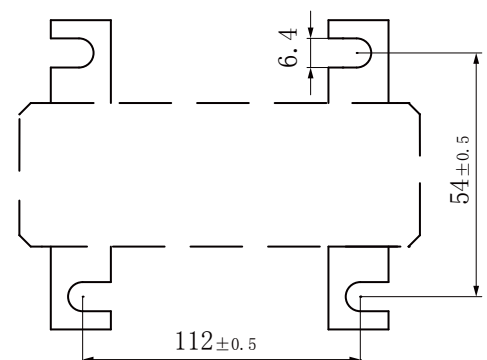
**Outline size: (in:mm)**



Front view



Side view



Bottom plate installation size