

Φ 10mm Aperture Dc voltage output Split core current transformer



Front view



Opening view



Bottom view



Characteristic

- Safety lock clasp, easy to install
- Built-in rectifier
- Crimping terminal output
- Mounted mounting

Product application

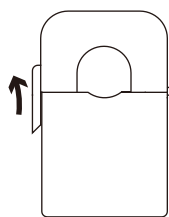
- Portable instrument
- Household metering
- Monitor motor load

Product advantage

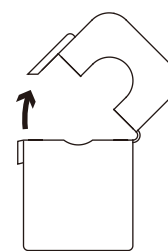
- Economic and practical
- Improve efficiency
- High cost performance

Installation diagram

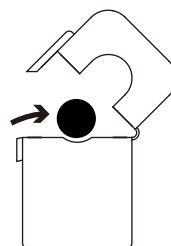
Primary threading method (Firing line)



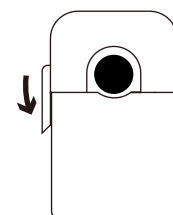
1. Open the buckle



2. Open upward



3. Put in lead wire



4. Fasten the buckle

Typical technical index:

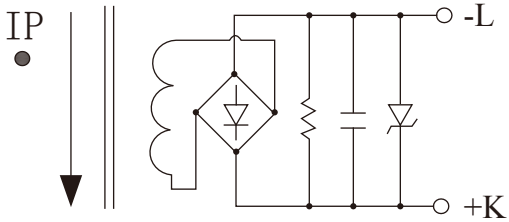
- Material of core——Ferrite
- Working voltage——Phase voltage $\leq 720V$
- Working temperature—— $-25^{\circ}C \sim +60^{\circ}C$
- Storage temperature—— $-30^{\circ}C \sim +90^{\circ}C$
- Frequency range—— $50Hz \sim 1KHz$
- Dielectric strength——Input (bare conductor) /output AC 800V/1min 5mA 50Hz
Output/Outer shell AC 3.5KV/1min 5mA 50Hz
- Weight--45g

Electrical parameters: (The following parameters are typical values and actual values will be subject to product testing)

	Input current A/AC	Output voltage V/DC	Accuracy %	Sampling resistor Ω	Load impedance K Ω	Number of turns
1V Output	5A	1V	2%	built-in	>10K Ω	1
	10A	1V				
	20A	1V				
	30A	1V				
	50A	1V				
	80A	1V				
	100A	1V				
3V Output	5A	3V	2%	built-in	>10K Ω	1
	10A	3V				
	20A	3V				
	30A	3V				
	50A	3V				
	80A	3V				
	100A	3V				
5V Output	5A	5V	2%	built-in	>10K Ω	1
	10A	5V				
	20A	5V				
	30A	5V				
	50A	5V				
	80A	5V				
	100A	5V				

*Parameters can be customized according to user requirements

Wiring schematic diagram:



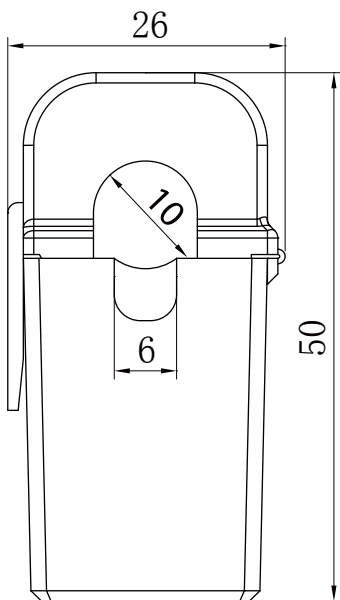
Voltage output type

Secondary are not allowed to short circuit

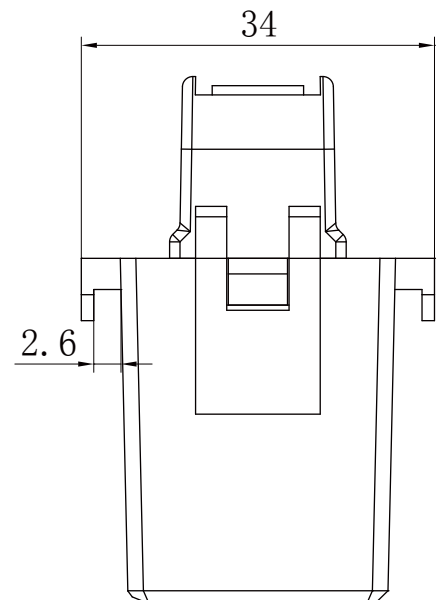
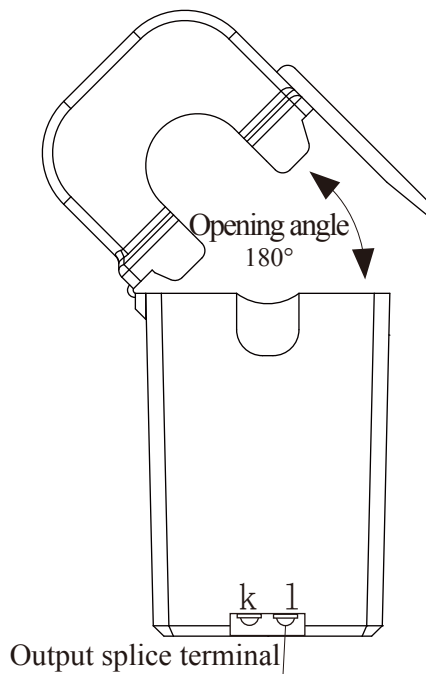
Instructions:

1. Primary threading direction: mark by arrow
2. Secondary output direction: k → l

Outline size: (in:mm)



Front view



Side view