

Driver Transformer



Model:D4615-301

characteristics:

Applicable for circuit of triggering pulse train

Technical indicators:

Installation method: PCB

Flame resistance: UL94-V0

Operating temperature: $-25^{\circ}\text{C} \sim +85^{\circ}\text{C}$

Storage temperature: $-45^{\circ}\text{C} \sim +85^{\circ}\text{C}$

Frequency range: 15KHz \sim 200KHz

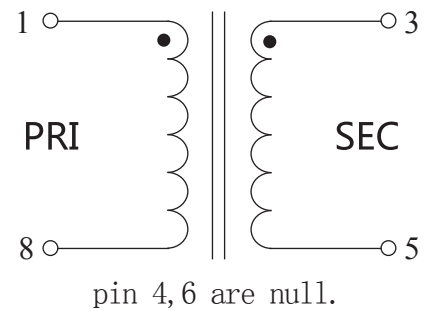
Dielectric strength: 4.5KV 50Hz 2s



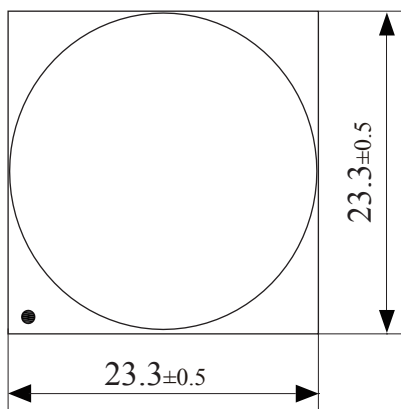
Electrical parameters:

Vout microsecond integral	750	μVs
Pulse width (D=1:2)	25	μs
Ratio	3 : 1	
Input amplitude	30	V
Output amplitude	≥ 7	V
Load impedance	7	Ω
Leading edge time	≤ 0.5	μs
Main circuit operating voltage	500	V
Weight	20	g

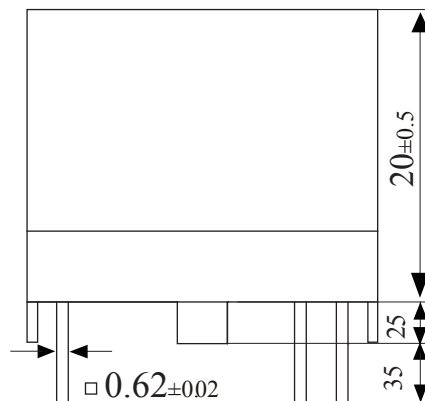
Connection diagram:



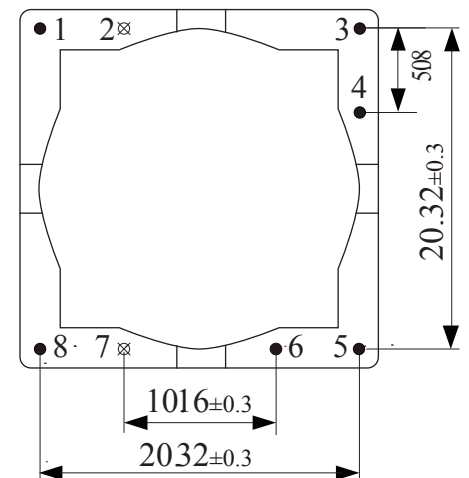
Dimensions (in mm) :



Front View



Side View



pin 4,6 are null
Bottom View