

Model:D4615-111

characteristics:

Applicable for circuit of triggering pulse train

Technical indicators:

Installation method: PCB

Flame resistance: UL94-V0

Operating temperature:  $-25^{\circ}\text{C} \sim +85^{\circ}\text{C}$

Storage temperature:  $-45^{\circ}\text{C} \sim +85^{\circ}\text{C}$

Frequency range: 15KHz~200KHz

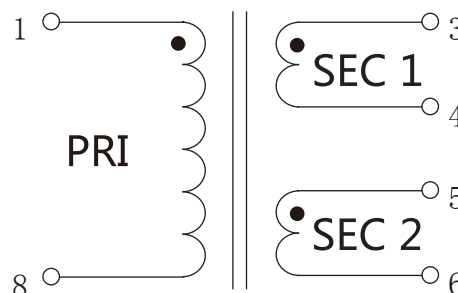
Dielectric strength: 4.5KV 50Hz 2s



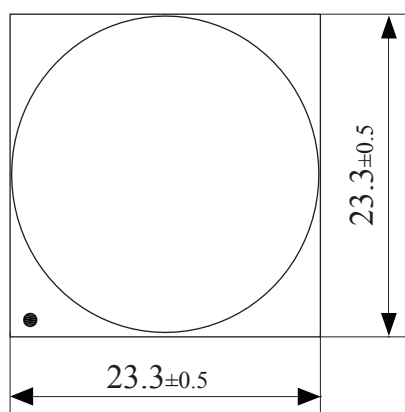
Electrical parameters:

Vout microsecond integral	450	$\mu\text{Vs}$
Pulse width (D=1:2)	30	$\mu\text{s}$
Ratio	1 : 1 : 1	
Input amplitude	15	V
Output amplitude	$\geq 12$	V
Load impedance	7	$\Omega$
Leading edge time	$\leq 0.5$	$\mu\text{s}$
Main circuit operating voltage	500	V
Weight	20	g

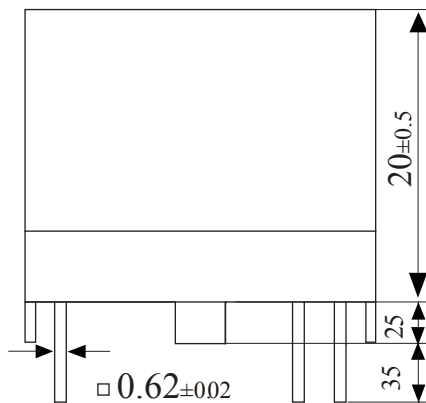
Connection diagram:



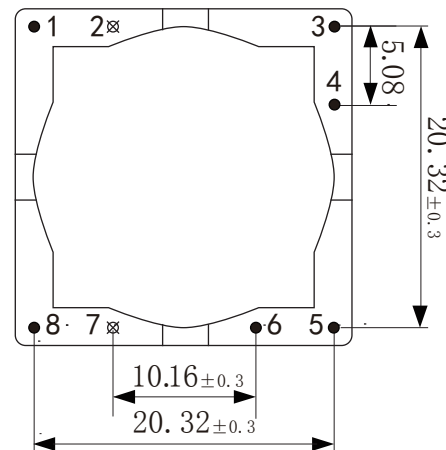
Dimensions (in mm) :



Front View



Side View



Bottom View