

Driver Transformer



Model:D4615-101

characteristics:

Applicable for circuit of triggering pulse train

Technical indicators:

Installation method: PCB

Flame resistance: UL94-V0

Operating temperature: -25°C~+85°C

Storage temperature: : -45°C~+85°C

Frequency range: 15KHz~200KHz

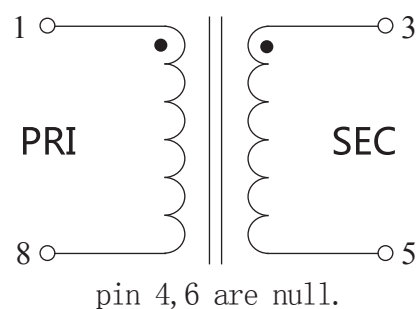
Dielectric strength: 4.5KV 50Hz 2s



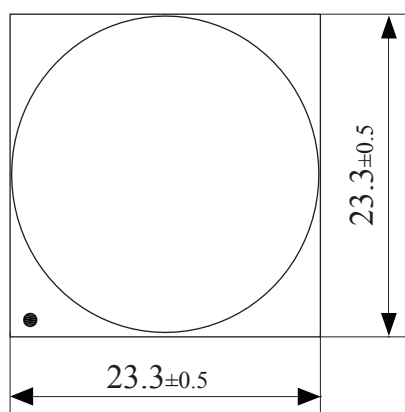
Electrical parameters:

Vout microsecond integral	450	μvs
Pulse width (D=1:2)	30	μs
Ratio	1:1	
Input amplitude	15	V
Output amplitude	≥12	V
Load impedance	7	Ω
Leading edge time	≤0.5	μs
Main circuit operating voltage	500	V
Weight	20	g

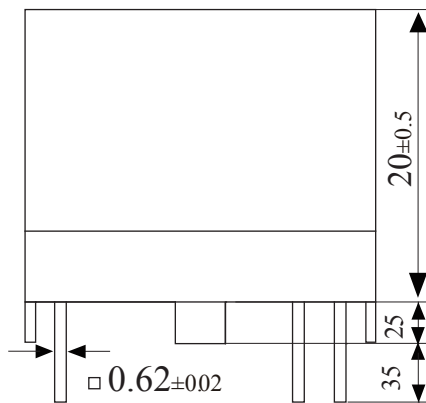
Connection diagram:



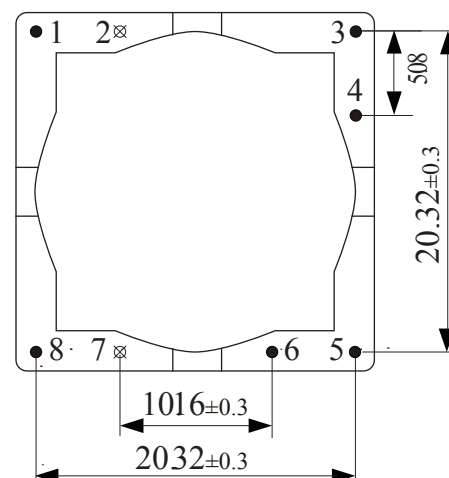
Dimensions (in mm) :



Front View



Side View



pin 4, 6 are null
Bottom View