

## Model:D4215-201

### characteristics:

It is used to drive IGBT,MOS pipe and transmit high-frequency signal isolation.

### Technical indicators:

Installation method: PCB

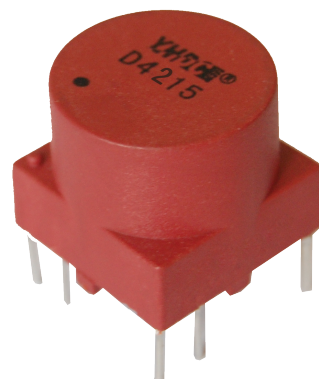
Flame resistance: UL94-V0

Operating temperature:  $-40^{\circ}\text{C}\sim+85^{\circ}\text{C}$

Storage temperature:  $-50^{\circ}\text{C}\sim+90^{\circ}\text{C}$

Frequency range: 20KHz~200KHz

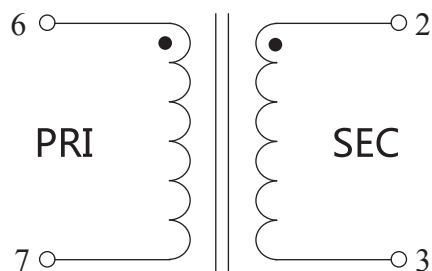
Dielectric strength: 3.1KV 50Hz 15s



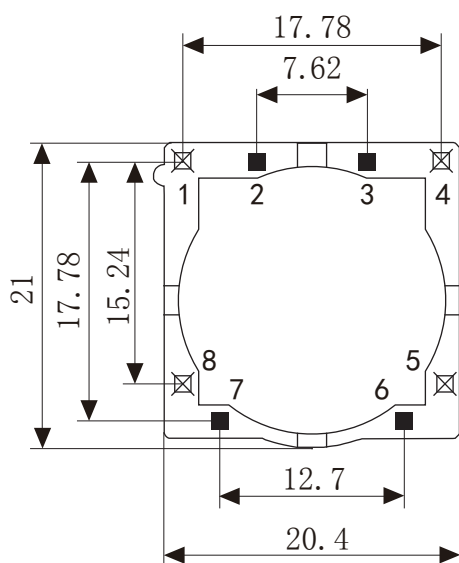
### Electrical parameters:

Vout microsecond integral	310	$\mu\text{Vs}$
Pulse width (D=1:2)	15.5	$\mu\text{s}$
Ratio	2:1	
Input amplitude	20	V
Output amplitude	9	V
Load impedance	100	$\Omega$
Leading edge time	$\leq 1$	$\mu\text{s}$
Main circuit operating voltage	380	V
Weight		g

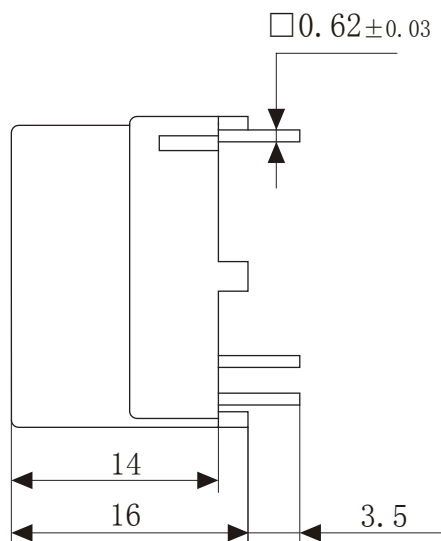
### Connection diagram:



### Dimensions (in mm) :



Bottom View



Side View