

Model:D4215-111

characteristics:

It is used to drive IGBT,MOS pipe and transmit high-frequency signal isolation.

Technical indicators:

Installation method: PCB

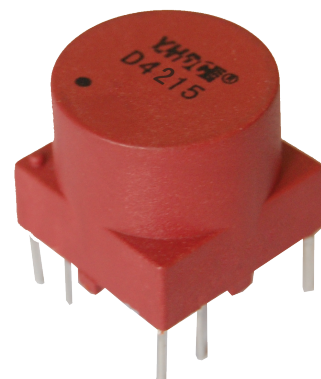
Flame resistance: UL94-V0

Operating temperature: $-40^{\circ}\text{C}\sim+85^{\circ}\text{C}$

Storage temperature: $-50^{\circ}\text{C}\sim+90^{\circ}\text{C}$

Frequency range: 20KHz~200KHz

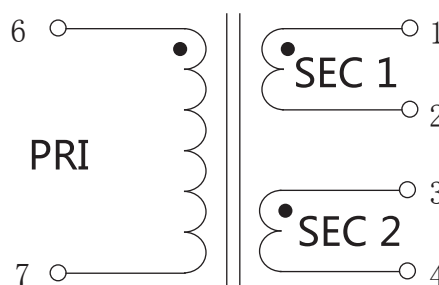
Dielectric strength: 3.1KV 50Hz 15s



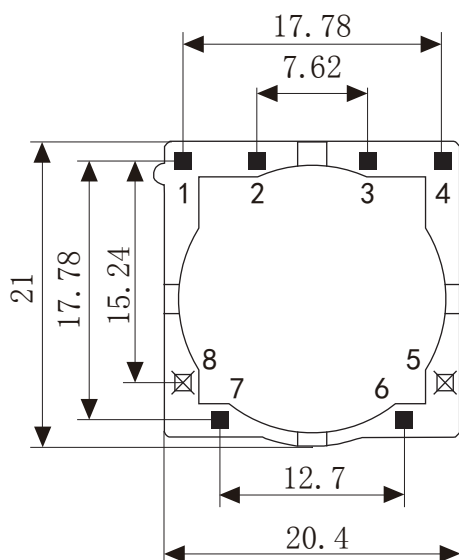
Electrical parameters:

Vout microsecond integral	310	μVs
Pulse width (D=1:2)	21	μs
Ratio	1 : 1 : 1	
Input amplitude	15	V
Output amplitude	13	V
Load impedance	100	Ω
Leading edge time	≤ 1	μs
Main circuit operating voltage	380	V
Weight		g

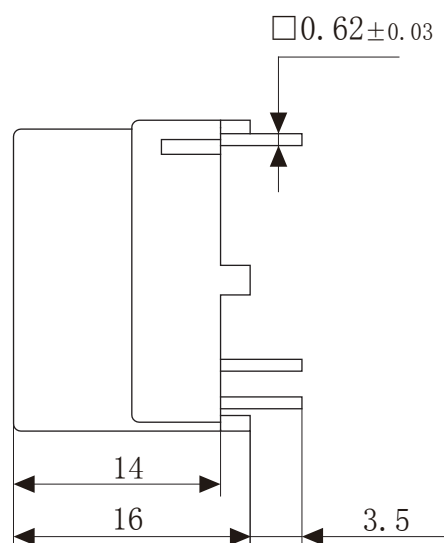
Connection diagram:



Dimensions (in mm) :



Bottom View



Side View