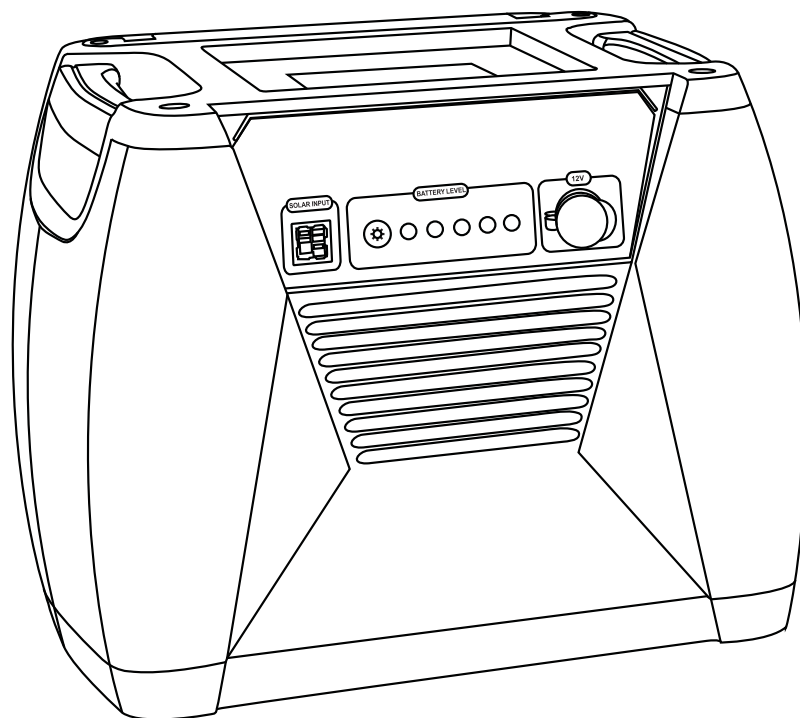


# Nature's Generator Power Pod Elite User Manual



# Nature's Generator Power Pod Elite

## Contents

Important Safety Instructions .....	1
- Warning .....	1
- Caution .....	2
Introduction .....	3
- Unpacking Your Nature's Generator Power Pod Elite .....	3
- Get to Know Your Nature's Generator Power Pod Elite .....	4
Using Your Nature's Generator Power Pod Elite .....	6
- How to Recharge Your Nature's Generator Power Pod Elite .....	6
- How to Install Your Nature's Generator Power Pod Elite on Top of Nature's Generator Elite .....	7
- How to Connect Your Nature's Generator Power Pod Elite to the Nature's Generator Elite .....	14
- How to Maintain and Store Your Nature's Generator Power Pod Elite .....	14
Troubleshooting .....	14
Technical Specifications .....	15
Limited Warranty .....	16

## ***Important Safety Instructions***

1. Read these instructions.
2. Keep these instructions.
3. Take note of all warnings.
4. Follow all instructions.
5. Do not use this apparatus near water.
6. Do not block any ventilation openings.
7. Do not use near flammable gases or fumes or other apparatus that produce a large amount of heat.
8. Only use attachments/accessories specified by the manufacturer.
9. Use only with the cart specified by the manufacturer, or sold with the apparatus. When a cart is used, use caution when moving the cart/apparatus combination to avoid injury from tip-over.
10. Refer all servicing to qualified service personnel. Servicing is required when the apparatus has been damaged in any way, such as power-supply cable or plug is damaged, liquid has been spilled or objects have fallen into the apparatus, the apparatus has been exposed to rain or moisture, does not operate normally, or has been dropped.
11. The apparatus should not be exposed to dripping or splashing, and no objects filled with liquids, such as vases, should be placed on the apparatus.

## ***Warning***

### ***Explosion hazard***

Do not burn or incinerate this item. This item may explode, causing personal injury or damage. Do not use near flammable gases or fumes or other apparatus that produces large amounts of heat.

### ***Energy and burn hazard***

Nature's Generator Power Pod Elite has a sealed lead acid battery, which can present a risk of burn from high current because of short-circuit.

### ***Replacement parts***

When replacement parts are required, make sure that the service technician uses replacement parts specified by the manufacturer that have the same characteristics as the original part. Unauthorized substitutions may result in fire, electric shock, personal injury, or other hazards.

### ***Safety check***

After completing any service or repair to this device, ask the service technician to perform routine safety checks to determine that your Nature's Generator Power Pod Elite is in correct operating condition.

### ***Servicing***

These servicing instructions are for use by qualified service personnel only. To reduce the risk of electric shock, do not perform any servicing other than that contained in the operating instructions unless you are qualified to do so.

## ***Caution***

### ***Damage requiring service***

Stop using the Nature's Generator Power Pod Elite and refer servicing to qualified service personnel under the following conditions:

- If liquid has been spilled or objects have fallen into your Nature's Generator Power Pod Elite.
- If your Nature's Generator Power Pod Elite has been exposed to rain or water.
- If your Nature's Generator Power Pod Elite has been dropped or damaged in any way.
- When your Nature's Generator Power Pod Elite exhibits a distinct change in performance.

### ***Cold weather***

Cold temperatures can impact Nature's Generator Power Pod Elite performance. If you are in area that will be consistency below freezing, we recommend keeping your Nature's Generator Power Pod Elite in an insulated location and connected to a solar panel.

### ***Recycling and Disposal***

Your Nature's Generator Power Pod Elite may contain materials that are regulated for environmental reasons. Your Nature's Generator Power Pod Elite also contains materials that can be recycled and reused. To help protect the environment, contact your local authorities for information about disposal or recycling and about finding a recycler in your area before you dispose of your Nature's Generator Power Pod Elite.



## ***Introduction***

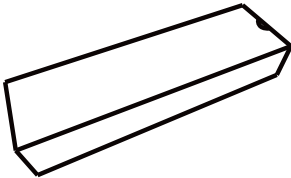
Congratulations on your new Nature's Generator Power Pod Elite, a great expansion to your Nature's Generator Elite.

## ***Unpacking Your Nature's Generator Power Pod Elite***

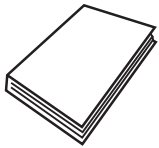
1. Nature's Generator Power Pod Elite



2. Accessory Box

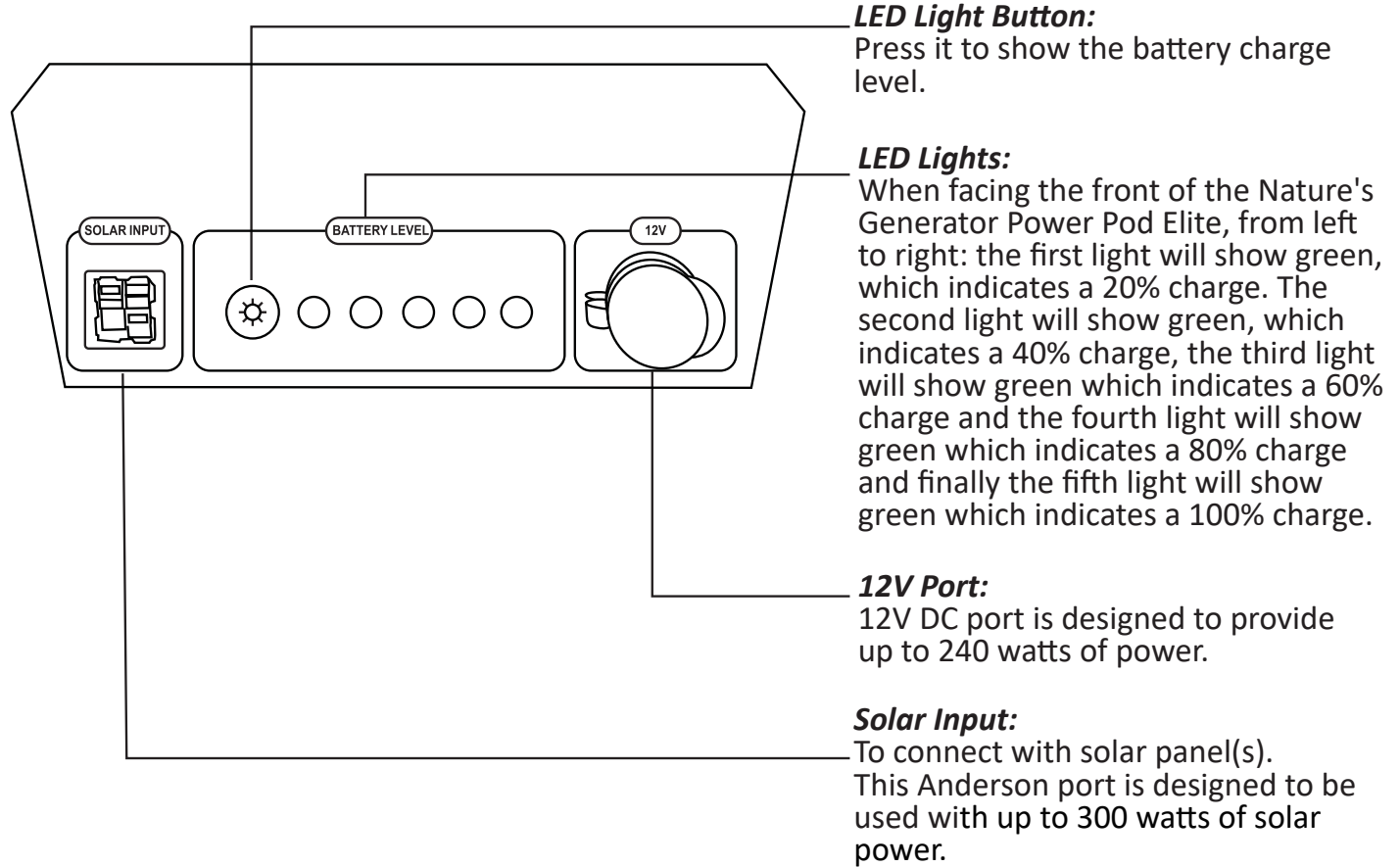


3. This user guide

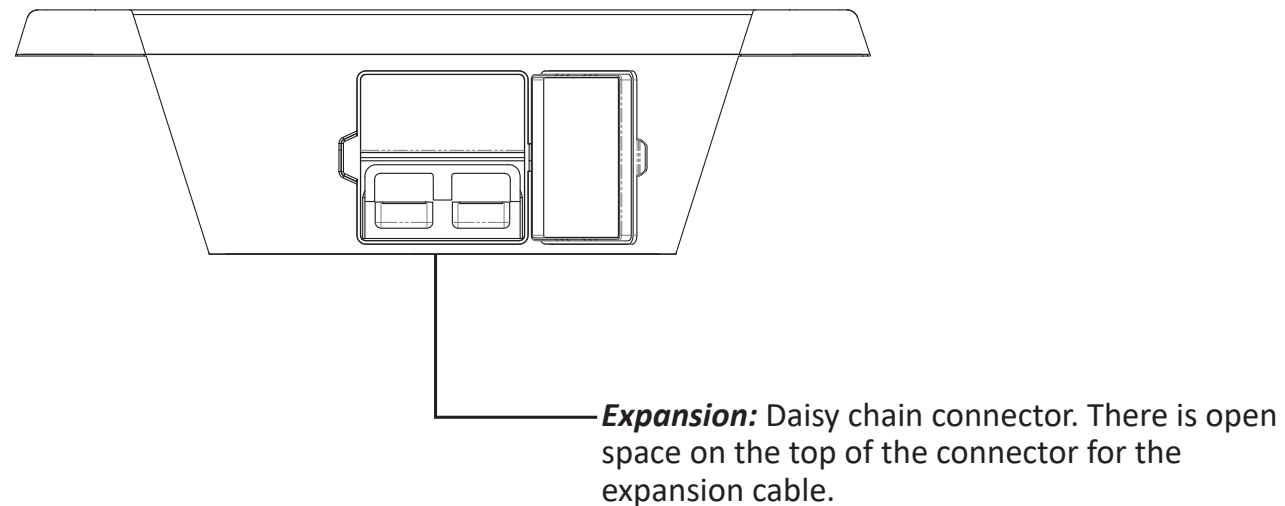


## Get to Know Your Nature's Generator Power Pod Elite

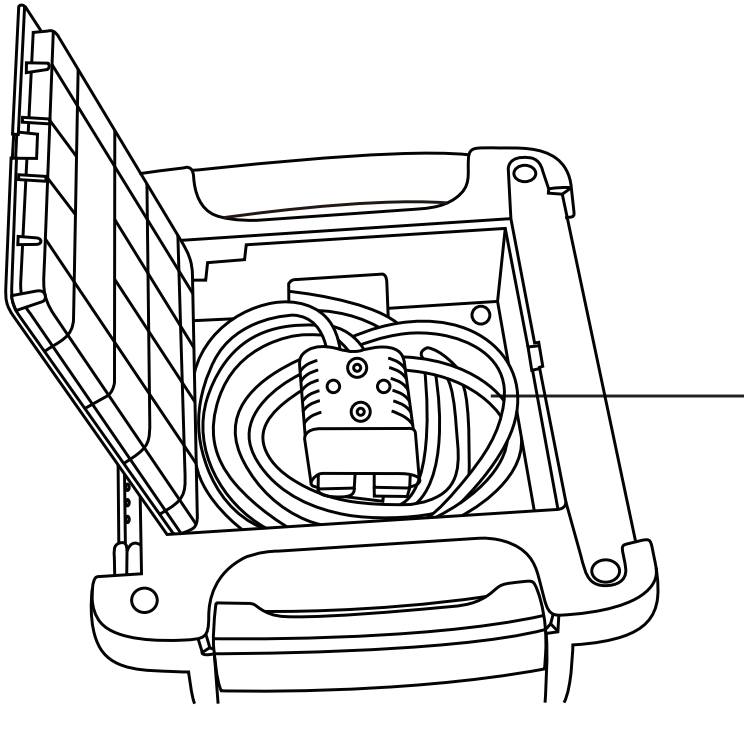
### Front Panel



### Back Panel



**Top Compartment**



**Expansion cable:** 35 inch long expansion cable.

## ***Using Your Nature's Generator Power Pod Elite***

### ***How to Recharge Your Nature's Generator Power Pod Elite***

#### ***Recharging from Solar Panels***

1. Place your solar panel where it will get as much direct sunlight as possible. While direct sunlight is always preferred, solar panels should be connected at all times to provide a consistent trickle charge to your battery. Solar panels will also send a charge your unit while in hazy or overcast skies.
2. Insert solar panel plug into Solar Input port on the front of Nature's Generator Power Pod Elite. You will know it is recharging when LED lights start running. The LED lights remain solid when the battery is full or there is not enough power from solar panel.
3. It takes about 15 to 25 hours to recharge Nature's Generator Power Pod Elite if using 100 watt solar panel, and also depends on the the strength of the sunlight.
4. To increase the recharging speed, you can daisy chain multiple solar panels in parallel connection. The Solar Input port can handle up to 300 watts of solar power. In other words, three of 100 watts solar panel can be chained in parallel before connecting to the Solar Input port.

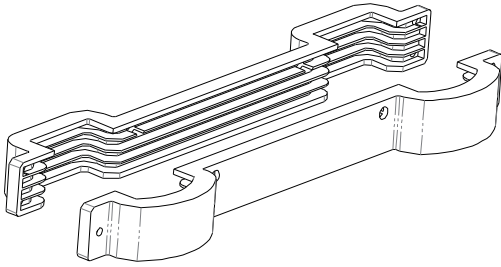
#### ***Recharging from Nature's Generator Elite***

1. Connect Nature's Generator Power Pod Elite to Nature's Generator Elite (not included in the box) by the expansion cable.
2. When Nature's Generator Elite is being recharged by solar, wind or wall, Nature's Generator Power Pod Elite will be recharged at the same time.
3. The LED lights do not run while Nature's Generator Power Pod Elite is recharged from Nature's Generator Elite, but you can press the LED Light Button to check battery level.

# How to Install Your Nature's Generator Power Pod Elite on Top of Nature's Generator Elite

## What is in the accessory box

### 1. Brackets



### 2. Bolts and nuts

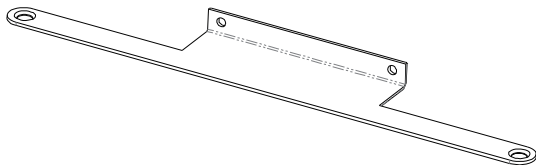


A: 16mm x 2pcs

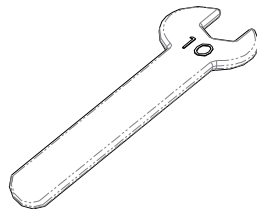
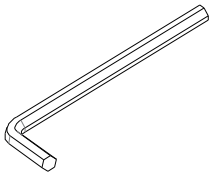


B: 25mm x 2pcs

### 3. Power Pod Elite Bar

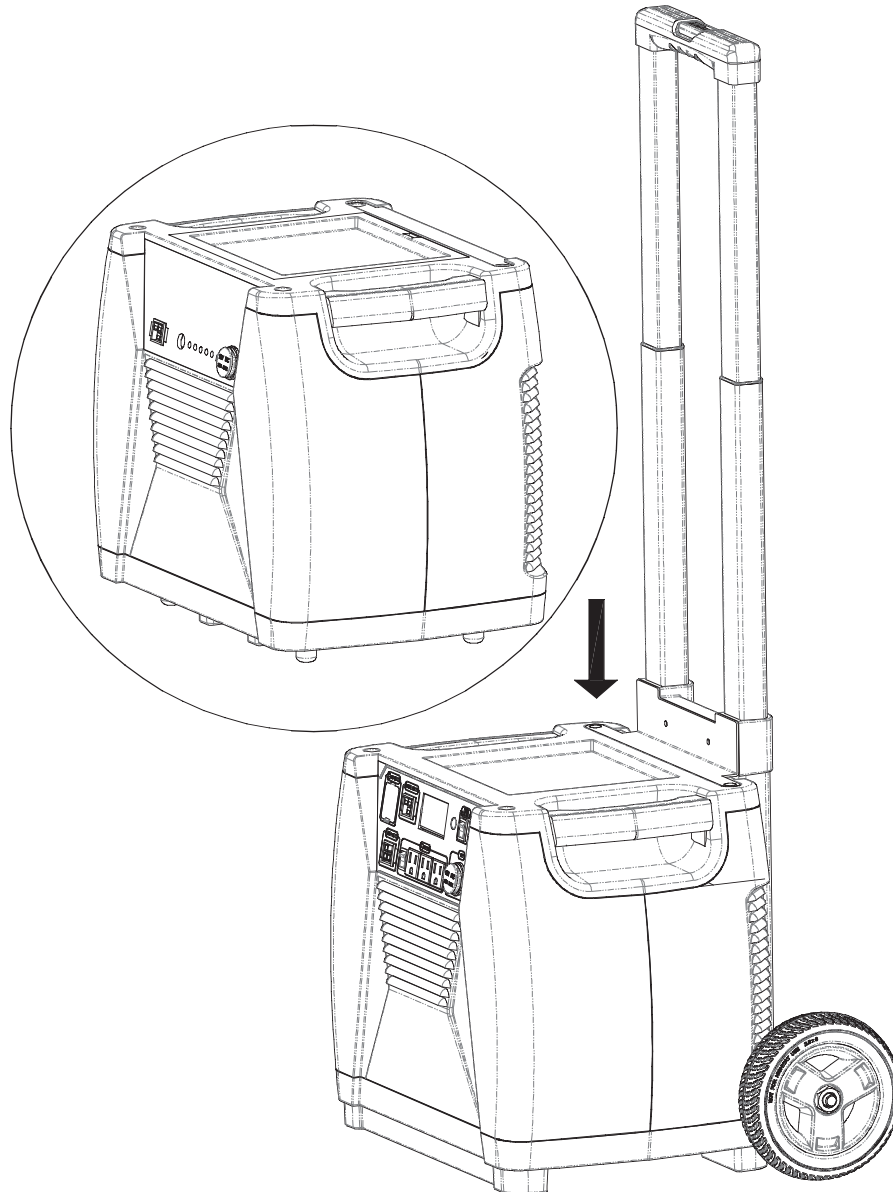


### 4. Tools

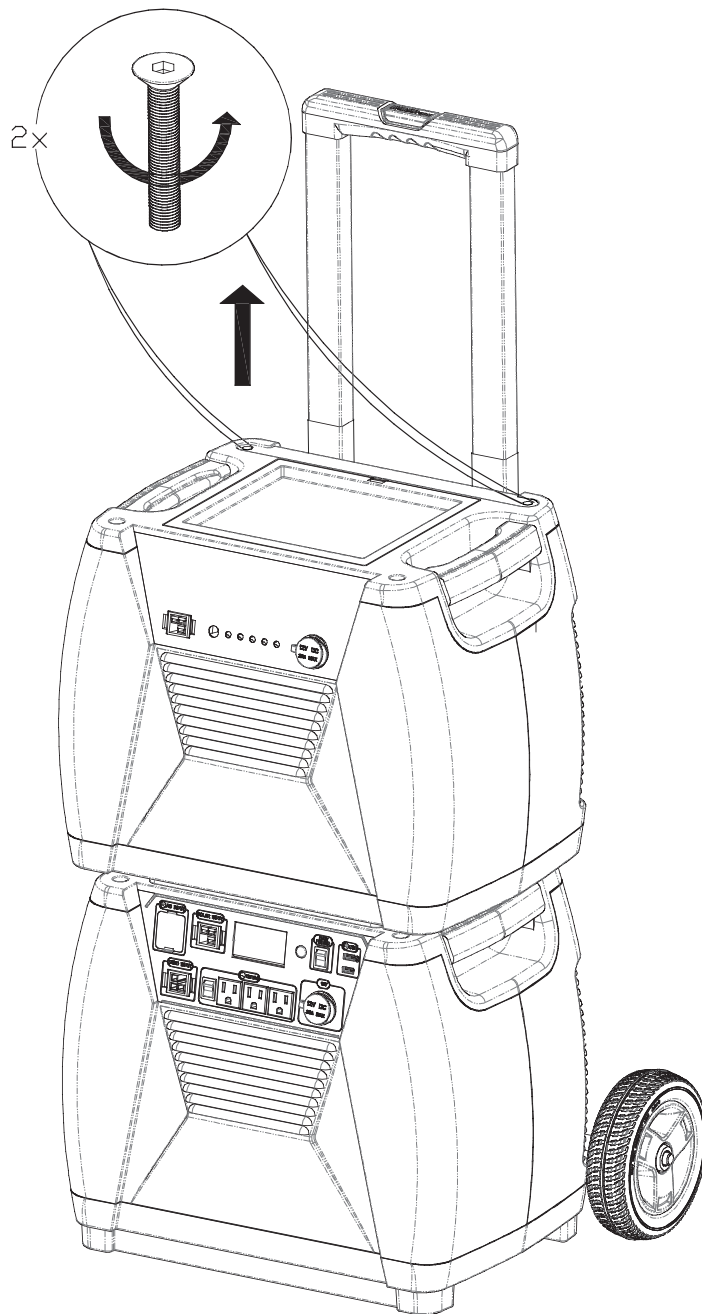


## ***Installing Procedures***

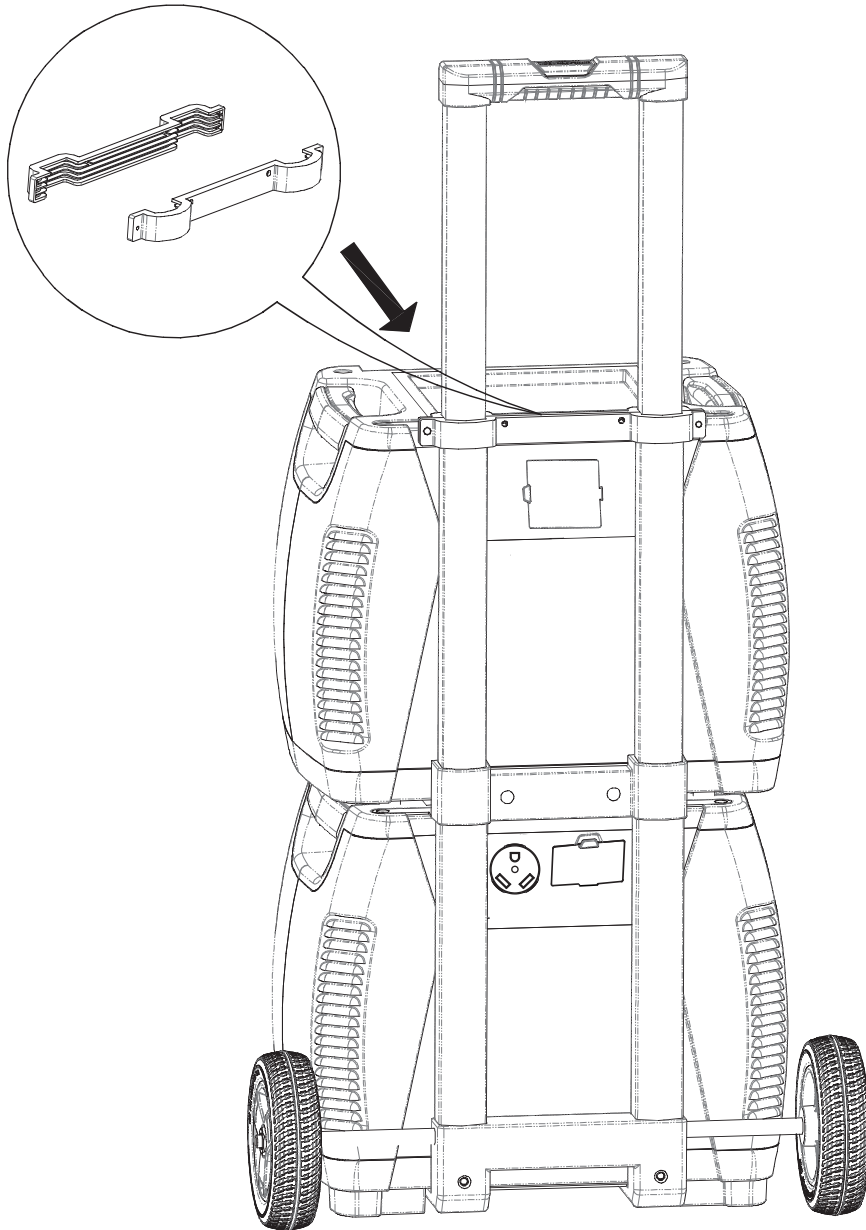
Step 1: Lift Nature's Generator Power Pod Elite and set it on top of Nature's Generator Elite. Make sure the feet of Nature's Generator Power Pod Elite sit between the handle and top case of Nature's Generator Elite.



Step 2: Remove two bolts from Nature's Generator Power Pod Elite with included the Allen wrench. Put these two bolts aside for now as they will be reused in step 5 below.

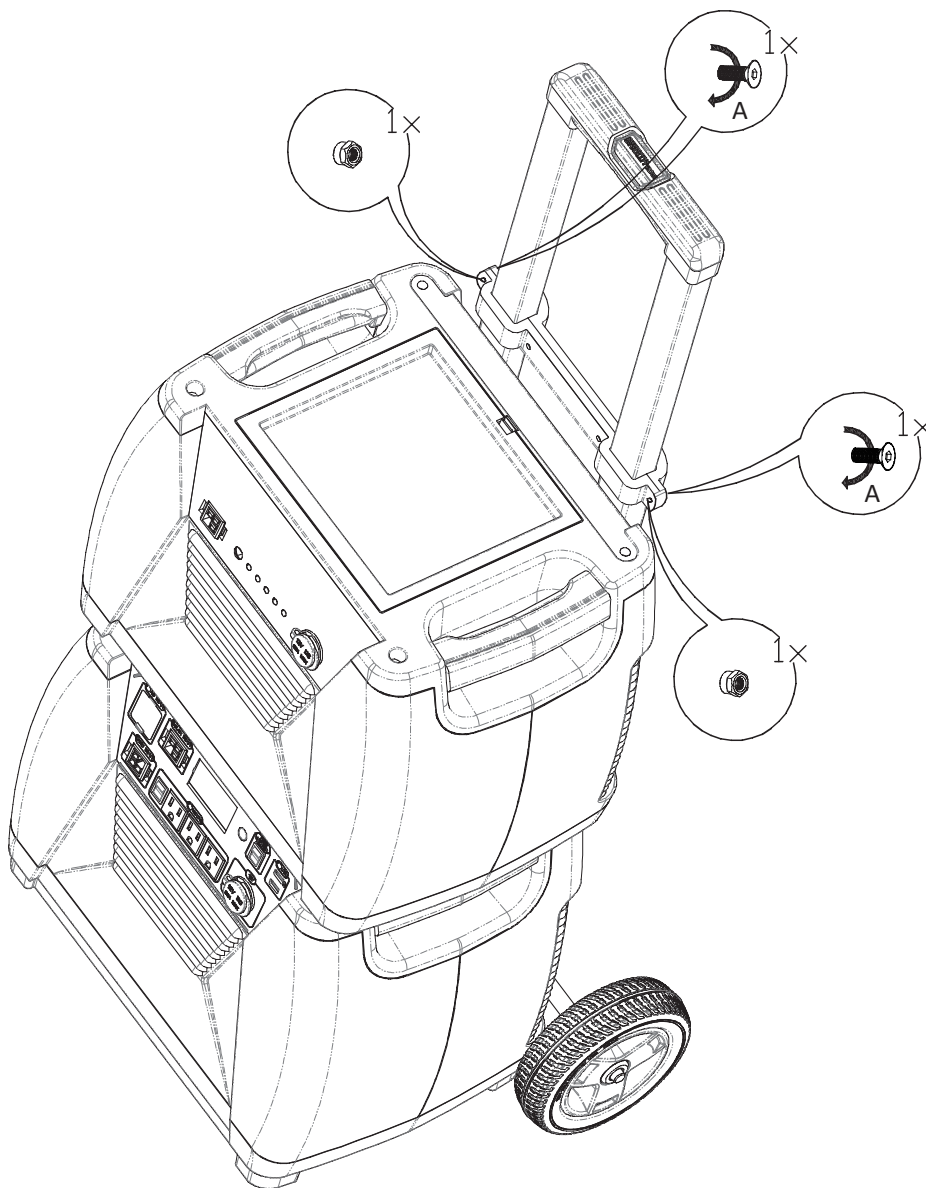


Step 3: Put the brackets on the cart. Bracket will match up with the shape of the cart frame. The curved part of the bracket should be placed on the back of the cart and the straight part of the bracket should be placed on the front of the cart.

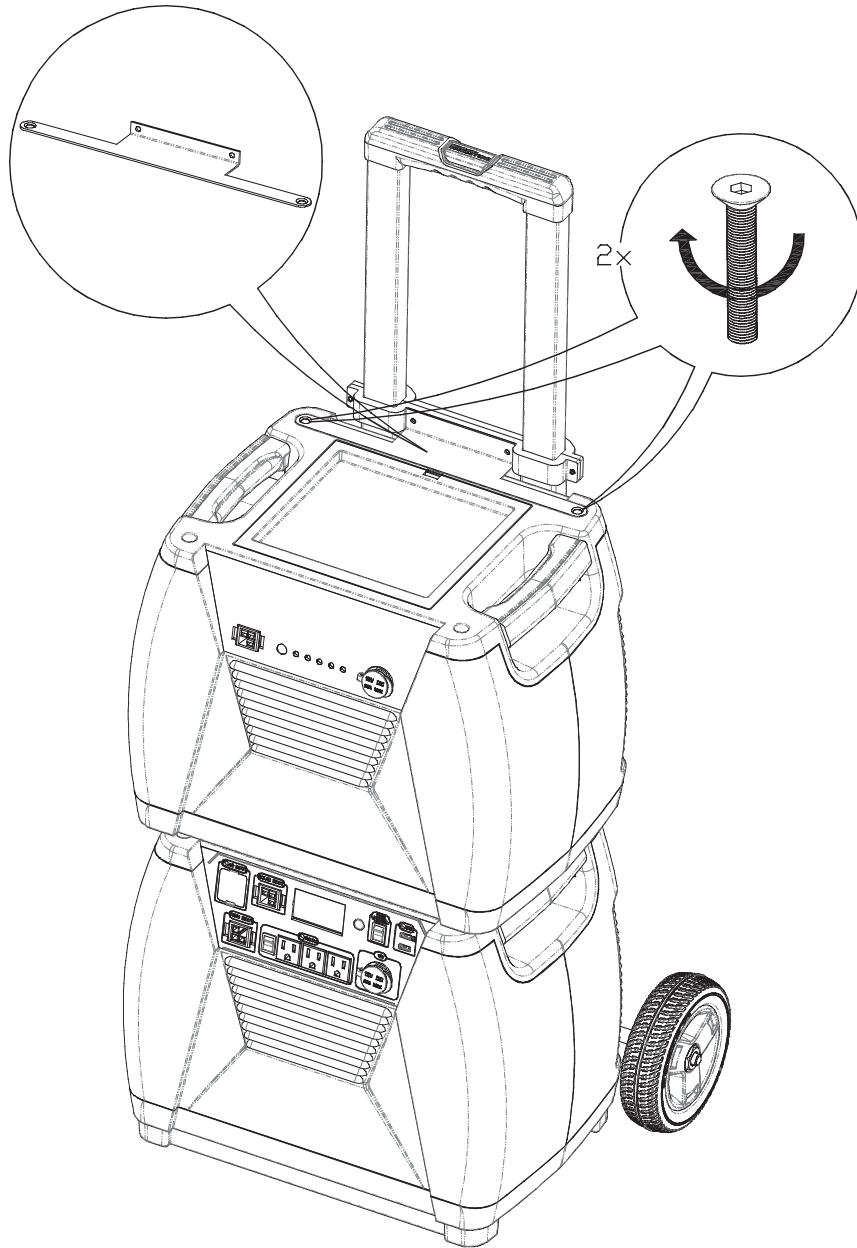




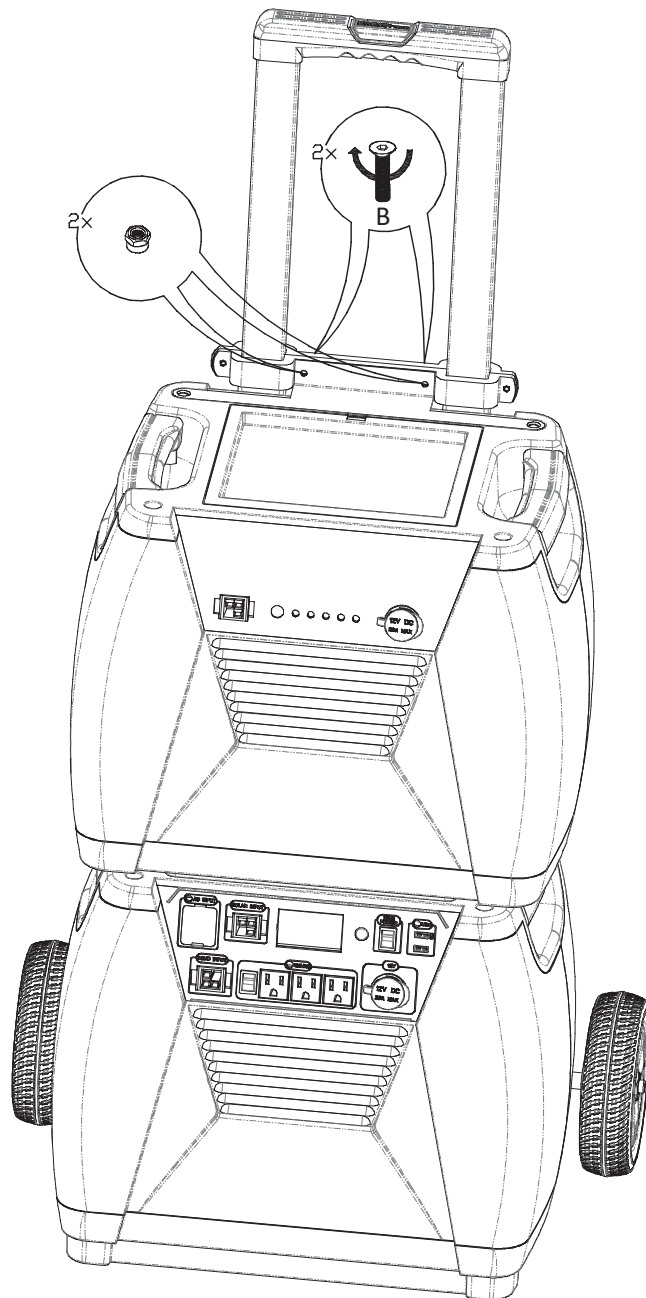
Step 4: Use type A bolts and nuts to secure the two brackets. Use wrench to hold the nuts the Allen wrench to tighten the bolts.



Step 5: Place Nature's Generator Power Pod Elite on the top of Nature's Generator Elite. Insert the bolts that were removed in step 2 by the Allen wrench.



Step 6: Use the type B bolts and nuts to secure the brackets and bar. Use the wrench to hold the nuts and the Allen wrench to tighten the bolts.



## ***How to Connect Your Nature's Generator Power Pod Elite to Nature's Generator Elite***

You can connect your Nature's Generator Power Pod Elite to your Nature's Generator Elite to extend the overall run time.

1. Open the top cover of the Nature's Generator Power Pod Elite, locate the expansion cable, and run the expansion cable out of Nature's Generator Power Pod Elite through the opening on the back of the Nature's Generator Power Pod Elite.
2. Locate expansion port on the back of your Nature's Generator Elite and open the rubber cover.
3. Connect the expansion cable to the expansion port. Due to the amount of voltage running between the Nature's Generator Elite and Nature's Generator Power Pod Elite, this is a very tight fit to ensure no electrical shock while connecting.
4. The Expansion (chain link) Icon will be illuminated on the display of Nature's Generator Elite to indicate Nature's Generator Power Pod Elite is connected.

You will experience an increased run time of 100% by adding one Nature's Generator Power Pod Elite, 200% by adding two Nature's Generator Power Pod Elites and 300% by adding three Nature's Generator Power Pod Elites.

## ***How to Maintain and Store Your Nature's Generator Power Pod Elite***

Please recharge your Nature's Generator Power Pod Elite once every four months and store in a ventilated, cool and dry location. If possible, please connect your Nature's Generator Power Pod Elite to the solar panel while in storage to top off the battery voltage. This keeps the battery healthy and prolongs its life. Failure to maintain Nature's Generator Power Pod Elite by these steps can result in battery damage which will void the product warranty.

Please clean your Nature's Generator Power Pod Elite with a soft, lint-free cloth. If your Nature's Generator Power Pod Elite is especially dirty, moisten a soft, lint-free cloth in a weak detergent solution, squeeze the excess moisture from the cloth, then wipe the cabinet with the cloth. Use a clean cloth to dry your Nature's Generator Power Pod Elite.

## ***Troubleshooting***

### **My Nature's Generator Power Pod Elite won't charge when I connect my solar panel to it.**

Please follow these steps.

1. Make sure the solar panel is pointed directly toward the sun. It is preferred to position the solar panel facing south. The solar panel may produce little or no power if it is positioned in shade.
2. Check the cable connection on your Nature's Generator Power Pod Elite and make sure it is properly connected.
3. If the LEDs light up, but are not running. It means Nature's Generator Power Pod Elite is being fully charged by the solar panel or solar panel does not have high enough voltage to recharge the Nature's Generator Power Pod Elite.

## ***Technical Specifications***

### ***Battery:***

Type: AGM Sealed Lead Acid

Capacity: 100Ah (1200Wh)

Self-discharge: Recommend to recharge it every 4 months

### ***Ports:***

12V DC Port: up to 20A (240W max)

Expansion Cable: 35 inches

### ***Charges:***

Solar Charger: 300watt

Battery Level LED lights: 5 LED lights

### ***General:***

Dimensions: 18 x 12 x 15 in (47 x 30 x 38 cm)

Operating temperature: 32-104 °F (0-40 °C)

Storage Temperature: 23–111 °F (-5–45 °C)

Weight: 92 lbs (42.0kg)

## ***Limited Warranty***

### ***One Year Limited Warranty***

Huntkey USA Inc. warrants to you, the original purchaser of this new product, that the product shall be free of defects in the original manufacture of the material or workmanship for a period of one (1) year from the original date of your purchase of the product (“Warranty Period”). This product must be purchased from an authorized dealer and packaged with this warranty statement. This warranty does not cover refurbished product.

### ***What does this Warranty Cover?***

During the Warranty Period, if the original manufacture of the material or workmanship of the product is determined to be defective by an authorized dealer, Huntkey USA Inc. will (at its sole option): (1) repair the product with new or rebuilt parts; or (2) replace the product at no charge with new or rebuilt comparable products or parts. Products and parts replaced under this warranty become the property of Huntkey USA Inc. and are not returned to you. If service of products or parts are required after the Warranty Period expires, you must pay all labor and parts charges. This warranty lasts as long as you own your product during the Warranty Period. Warranty coverage terminates if you sell or otherwise transfer the product.

### ***How to Obtain Warranty Service?***

Please call 1-800-975-7909 Monday through Friday, 9:00 AM to 5:00 PM PST. You will be provided with a Return Merchandise Authorization (RMA) number and return instructions. Send product to:

Huntkey USA, Inc.  
3130 Paseo Mercado Suite 106  
Oxnard, CA 93036

Please include the RMA number prominently displayed on the shipping box and include your name, phone number and address with the product inside the box.

### ***Where is the Warranty Valid?***

This warranty is valid only to the original purchaser of the product in North America (United States and Canada)

### ***What does the Warranty not Cover?***

This warranty does not cover:

- Cosmetic damage
- Damage due to force majeure, such as lightning strikes, fire, flood, etc..
- Accident
- Misuse
- Abuse
- Negligence
- Commercial use
- Modification of any part of the product
- Damage due to incorrect operation or maintenance
- Connection to an incorrect voltage supply
- Attempted repair by anyone other than a facility authorized by Huntkey USA Inc. to service the product
- Products sold as is or with all faults
- Consumables, such as batteries
- Products where the factory applied serial number has been altered or removed

REPAIR REPLACEMENT AS PROVIDED UNDER THIS WARRANTY IS YOUR EXCLUSIVE REMEDY. HUNTKEY USA INC. SHALL NOT BE LIABLE FOR ANY INCIDENTAL OR CONSEQUENTIAL DAMAGES FOR THE BREACH OF ANY EXPRESS OR IMPLIED WARRANTY ON THIS PRODUCT, INCLUDING, BUT NOT LIMITED TO LOST DATA, LOSS OF USE OF YOUR PRODUCT, LOST BUSINESS OR LOST PROFITS. HUNTKEY USA INC. PRODUCTS MAKES NO OTHER EXPRESS WARRANTIES WITH RESPECT TO THE PRODUCT, ALL EXPRESS AND IMPLIED WARRANTIES FOR THE PRODUCT, INCLUDING, BUT NOT LIMITED TO, ANY IMPLIED WARRANTIES OF AND CONDITIONS OF MERCHANTABILITY AND FITNESS FOR A PARTICULAR PURPOSE, ARE LIMITED IN DURATION TO THE WARRANTY PERIOD SET FORTH ABOVE AND NO WARRANTIES, WHETHER EXPRESS OR IMPLIED, WILL APPLY AFTER THE WARRANTY PERIOD. SOME STATES, PROVINCES AND JURISDICTIONS DO NOT ALLOW LIMITATIONS ON HOW LONG AN IMPLIED WARRANTY LASTS, SO THE ABOVE LIMITATION MAY NOT APPLY TO YOU. THIS WARRANTY GIVES YOU SPECIFIC LEGAL RIGHTS, AND YOU MAY ALSO HAVE OTHER RIGHTS, WHICH VARY FROM STATE TO STATE OR PROVINCE TO PROVINCE.

Contact Huntkey USA Inc:

For customer service please call 1-800-975-7909

Huntkey USA, Inc.

3130 Paseo Mercado Suite 106

Oxnard, CA 93036



V1.0 ENGLISH  
20-0507