



BLUETTI

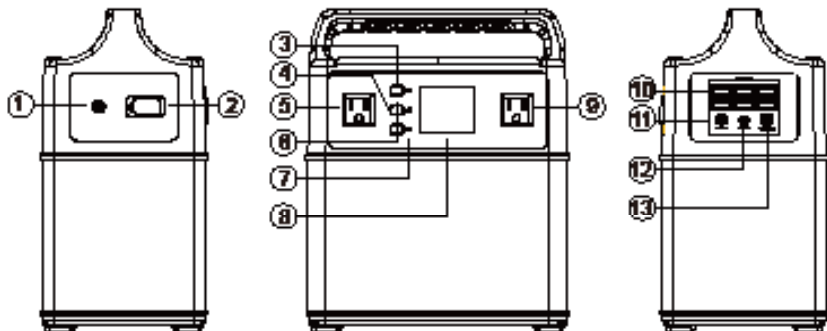
400Wh Portable Power Generator
User Manual

Contents

English.....	01-11
Deutsch.....	12-23
Français.....	24-35
日本語	36-45

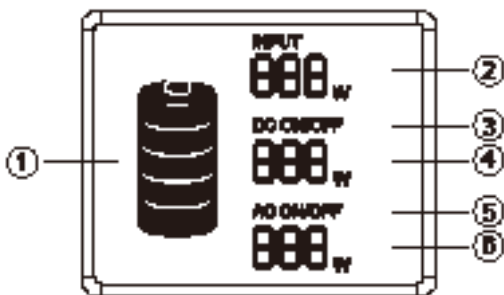
Please read this manual before use and follow its guidance. Keep this manual for future reference.

Product Overview



- | | |
|-----------------------------------|-------------------------------|
| 1. PV/Adapter Charging port(6530) | 8. LCD Display |
| 2. CAR Jump Starter Port | 9. AC Outputs |
| 3. Main power On/Off Button | 10. USB 5V Output ports(6mm) |
| 4. DC Power On/Off Button | 11. 12V/5A Output port(5521) |
| 5. AC Outputs | 12. Type-C QC3.0 Output port |
| 6. AC Power On/Off Button | 13. 12V/10A Output port(7909) |
| 7. Power On/Off Indicator Lights | |

LCD Display



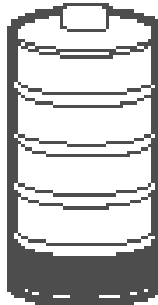
- | | |
|-------------------------|--------------------|
| 1. Battery Level | 4. DC Output Power |
| 2. Input Charging Power | 5. AC ON/OFF |
| 3. DC ON/OFF | 6. AC Output Power |

The LCD Battery Display indicates the charge level. There are 5 segments of the battery, approximating 20%~40%~60%~80%~100% capacity. During using, segments will disappear from the display, indicating the remaining capacity. When charging it, you will notice a battery segment blinking with 1 second interval. This indicates the current charge status and the number under INPUT shows the real-time charging power. Once it is fully charged, all battery segments will be lit and remain solid.

Note:

1. If the product malfunctions, error codes(E*, refer to TROUBLESHOOTING which will be discussed below) would be displayed on screen.
2. Backlight would be turned off by itself when the product remains idle for a certain period of time. Click on a button to turn on the backlight.

Charge your PPS when there is only one battery segment!



Warnings

1. Please read the warning section carefully before use.
2. Avoid using this product when it is exposed to direct sunlight, rain or wet environment.
3. This product cannot be installed near radiator, oven or any other heat source.
4. Place the product in a stable and secured area.
5. Please use dry cloth to clean this product.
6. Please do not alter or disassemble this product.
7. Keep away from fire. If a fire hazard occurs, use dry powder fire extinguisher on this product. Using water fire extinguisher on this product may lead to electric shock.
8. Operating temperature: 0°C-40°C; Operating humidity: 5%-90%

Storage and Maintenance

1. Please fully charge the product before storage and charge it at least once every 3 months.
2. Store this product in a cool, dry, well-ventilate and well-spaced area. Keep the product away from water, flammable gas, corrosive material, metal dust and salt. Storage temperature:0°C-40°C.
3. Failure to use, store and maintain the product according to the instruction would void the warranty.

Unboxing

Before opening the parcel, please check whether if the parcel is damaged or not. If the product is damaged during delivery or if any items went missing upon arrival, please contact Seller customer service to get it solved. You should receive the following items:

Item	Number of item
Portable Power Supply	1
AC wall charger	1
Car charging cable	1
Solar charging cable	1
12V/10A output to car charging cable	1
Type-C to type-C cable	1
Car jump-starting cable	1
User Manual	1
Warranty card	1

● What to power with the portable power supply

USB: Smart phone,MP3 Players,Digital Cameras,Tablets,E-readers,etc.

DC 12V Output Ports: Dual ports for LED lamp mainly.

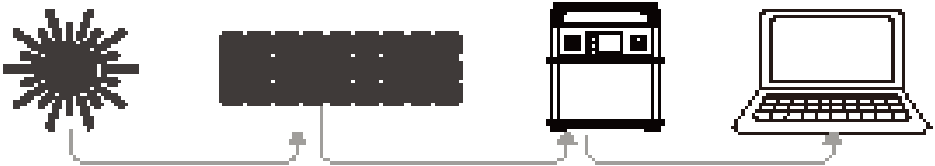
Cigarette Lighter Socket: Car on-board Fridges,12V appliances,etc.

AC Output Port: Electrical appliances(power rate under 300W),such as Televisions, Laptops,Cooker,etc.

How to charge the product

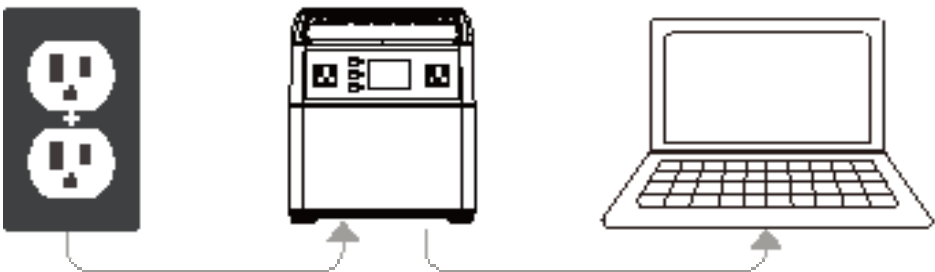
There are 3 ways to charge the product, using AC adapter, solar charging cable or car charger.

● Charge with solar panel



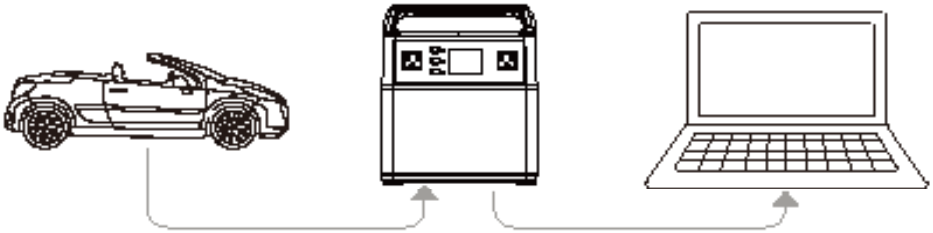
1. Power on the portable power supply by press master power button for 2 seconds.
2. Place your solar panel where it can get as much direct sunlight as possible.
3. Connect the solar panel by solar charging cable,then insert the Anderson plug of the cable into the solar charging port on the left side of the portable power supply.You can know the charging state from the LCD display.
4. You can chain multiple solar panels together to reduce solar recharge times.It is capable of taking in 120W of solar charging power.The open-circuit voltage of the solar panel should be from 14V to 40V.
5. It will stop charging when the battery full of energy,with the built-in advance system control circuit module.

● Charge with adapter



Power on the portable power supply by press master power button for 2 seconds.Please insert the DC head into the PV/Adapter Charging port of the product and then connect the adapter to the AC power socket.you can know the charging state from the LCD display.It will stop being charged when it's full of energy,with the built-in advance system control circuit module.

● Charge with car charger



Power on the portable power supply by press master power button for 2 seconds.Plug one end of the car charger to your portable power supply, plug the other end to car cigarette socket of your car.You can know the charging state from the LCD display.

Note: Car cigarette socket of 12 vehicle can't charge the portable power supply fully,but the 24 vehicle can. It can't be charged when the 12 vehicle is not starting.

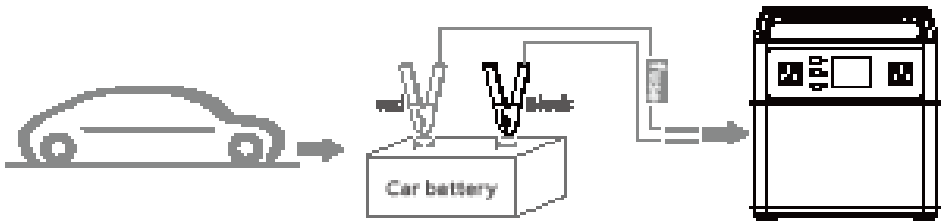
How to use the product to charge other device

1. Press the master power button for 2 seconds to turn on the portable power supply,then the power indicator and LCD will be lit up.
2. Press the DC power button under the master button for 2 seconds to power DC device.Press the AC power button under the DC power button for 2 seconds to power AC device.(When not using certain ports,make sure to turn them off to conserve power)
3. Connect your device to the portable power supply.
4. You will know if it's powering other devices when the numbers on the LCD changes. The numbers indicate the amount of power your devices getting from the portable power supply.
5. Press the AC power button,DC power button,master power button for 2 seconds to shut down the AC output,DC output and main power supply respectively.
6. When the master power button is on while the DC and AC power button are off,main power supply will shut down automatically in 10 minutes.You need to press the master button for 2 seconds again to restart it.
7. The portable power supply will shut itself down when the battery capacity is lower than 10%.
8. Always remember to turn off the product if you don't use it.
9. If possible,keep your portable power supply fully charged before long-term non-use.

●50Hz/60Hz Frequency Selection(Factory Default Settings:60Hz)

Press the power switch for 2 seconds to turn on the machine, then press the DC power button and AC power button simultaneously to enter frequency regulation mode, LCD will display the current frequency. Click the AC power button to switch the frequency between 50Hz and 60Hz. Press the DC power button and AC power button simultaneously to exit frequency regulation mode. Automatically keep the setting before your next usage.

●Jump Start a car



1. Make sure the gas engine displacement of the vehicle is not more than 4L. 2. Make sure the power is over 60%(four battery segments on).
3. Make sure the clamps of the battery clamps is not broken.

Steps:

1. Plug the intelligent battery clamps into the jumping port of your portable power supply. If green and red lights are on simultaneously,the connection is confirmed to be correct.
2. Connect the positive and the negative polarities of the battery clamps to the positive and the negative polarities of battery(Red to +,black to -).If the green light is on ,then you can start you car. If green and red lights are on simultaneously,you can try to open the head lamp of vehicle or air- conditioner(the clamps need to be activated).
3. Turn the auto key to start the auto
4. Disconnect the clamps with battery and the jumping port of your portable power supply.The first step and the second step can be exchanged.Only when the indicator light of the clamps turns to green,then you can start you car.

Notice :

- 1.Before starting,make sure the red and black clips are clamped tightly to the battery poles of your car,keep the two clips with enough safety distance,to prevent the two

- from falling off or collision because of the engine vibration after car starting.
2. It is strictly prohibited to connect the red and black clip directly, otherwise it may cause accidents.
 3. Please keep away from the engine when starting the car to avoid any physical injury that may be caused by car engine running.
 4. Please remove the product from battery within 30 seconds after engine started, otherwise it might cause damage to the portable power supply or even cause an accident.
 5. Please check the battery capacity before every re-start. Make sure the power is over 60% (four battery segments on).
 6. People who are not familiar with this product (especially children) is strictly prohibited to use this function.

Technical specification

Model		EB40	
Battery Capacity		400Wh(JP&UL)	400Wh(EU)
Battery Material		Lithium-ion Rechargeable Cell	
Battery model		INR18650	
Battery rated voltage		11.1V(3S14P)	
Output			
AC Output	Continuous Output Power (Max.)	300W	300W
	Peak output	600W	600W
	Rated output voltage	110Vac	230Vac
	Rated frequency	50/60Hz	50/60Hz
	Power factor	1	1
	Overload	100-150%@2min; >150%@10S	100-150%@2min; >150%@10S
	Self-consumption (No load)	<5W	<10W
	Max efficiency (>70% load)	88%	88%

12V/10A output port(7909)	Output voltage	12.6	12.6
	Rated output current	10A	10A
	Overload protection power	>140W	>140W
12V/5A output port(5521)	Output voltage range	10~12.6V	10~12.6V
	Rated output power	60W	60W
	Overload protection power	>65W	>65W
Type-C output port	Communication protocol type	QC3.0	QC3.0
	Output voltage range	3.6~12V(default 5V)	3.6~12V(default 5V)
	Rated output current	5V/2.5A, 9V/2A, 12V/1.5A	5V/2.5A, 9V/2A, 12V/1.5A
	Overload protection current	>3A	>3A
USB output ports(6pcs)	Output voltage	5V	5V
	Output current	3A	3A
ACcharge			
Charger (90W)		About 5Hrs	
PV charge			
Max. PV charge power (120W)		About 4Hrs	
PV input voltage range		12.6~40Vdc	12.6~40Vdc
voltage range		15-40Vdc	15-40Vdc
Max. input voltage		40Vdc	40Vdc
Max. input current		10A	10A
MPPT efficiency		99.50%	99.50%
Max. efficiency		>96%	>96%
Solar power charge type		MPPT	MPPT
Main Unit			
IP Rating		IP 21	
Working Condition		Relative Humidity: 5%-90%	
		Temperature: 0-40°C	
Dimensions		234*149*285mm	
Net Weight		5.6 kg	

Frequently Asked Questions

●What type of battery?

Lithium-ion battery is much smaller and lighter weight than normal SLA battery and also cycles much longer time than normal SLA or AGM battery.It can last longer if you don't drain them completely.

●How do you know if your portable power supply is charged?

To check the charging state of your portable power supply, refer to the LCD Battery Display. When lit up, you will see a battery outline with five segments, indicating the current charge level. You can turn on the Battery Display by pressing the Master Power Button. It is OK to use the portable power station even when it's not fully charged.

●How do you know if your device will work with this product?

First, you need to determine the amount of power your device requires. This may require some research by yourself, examining the user guide for your device should suffice. Second, you will need to check the capacity for the individual output ports. For example, the AC port is monitored by an inverter that allows for 300W of continuous power. This means if your device is pulling more than 300W for an extended period of time, the portable power supply will shut off.

●Depth Of Discharge(DOD)

To prolong battery life, we set a DOD of 80% for this portable power supply, which means only 80% of 400Wh can be discharged.

●Did it Support Charge and Discharge Simultaneously?

Yes, this power station can be discharged while charging. But for better protect the life-span of the battery, we do not suggest you use this pass-through function long term.

●Can I Charge the Power Station with Two Solar Panel in Series?

Yes, you can. But make sure the total open circuit voltage (OCV) is no more than 40V. otherwise it may power off automatically or cause damage.

●How to Extend the Charge Time for CPAP?

We suggest turn off the humidifier/heater and set a lower pressure to get a longer charge time for CPAP.

Trouble Shooting

If your device can be charge with this portable power supply, follow these steps:

1. Make sure the Master Power Button is turned on.
2. Ensure the output port has been turned on. The green LED light indicating its state should be lit up.
3. Check the battery capacity display. If it's at 20% or below, you need to charge the portable power supply.
4. Verify your device is suitable to be charged with this product. All the output ports have their own max power capacity. Check them to ensure your device is compatible. If you are still experiencing trouble with this product after checking the TROUBLESHOOTING as below, please contact us.

Error codes	Cause	Solution
E01	Over Temperature Protection	1, Check the ambient temperature if higher than 40°C. Output will start again if the generator cools down.
E02	Battery Over Voltage Protection	Disconnect the charger and restart it;
E03	Battery Damage Protection	Please contact customer service.
E04	1st Battery String Over-Voltage	Disconnect the charger and restart it
E05	2nd Battery String Over-Voltage	Disconnect the charger and restart it
E06	3rd Battery String Over-Voltage	Disconnect the charger and restart it;
E07	1st Battery String Low Voltage	Charge the unit in time, restart it after fully charged
E08	2nd Battery String Low Voltage	Charge the unit in time, restart it after fully charged
E09	3rd Battery String Low Voltage	Charge the unit in time, restart it after fully charged
E10	Discharge low temperature protection	Check the ambient temperature whether it's lower than -20°C

E11	Battery Low Voltage Protection	Charge the unit in time, restart it after fully charged;
E12	Inverter Over Current Protection	Check if the AC output overload or short circuit
E13	Inverter Over Load Protection	Check if the AC output overload
E14	Inverter Short-Circuit Protection	Check if the AC output overload or short circuit
E16	Charging Over Voltage protection	Check if the input voltage excess the max input voltage
E19	12V6A Output Over Current Protection	Check if the 12V/6A output overload or short circuit
E20	12V6A over load protection	Check the if the 12V6A is over load
E21	12V10A Output Over Current Protection	Check if the 12V10A output overload or short circuit
E22	12V10A overload protection	Check if the 12V10A output overload
E23	5V output Over Current Protection	Check if the output overload or short circuit
E24	5V output Over Current Protection	Check if the output overload or short circuit
E25	Battery over temperature protection	Check if the environment temperature is higher than 40°C . Generator will recover to normal work after it cools down.

Warranty

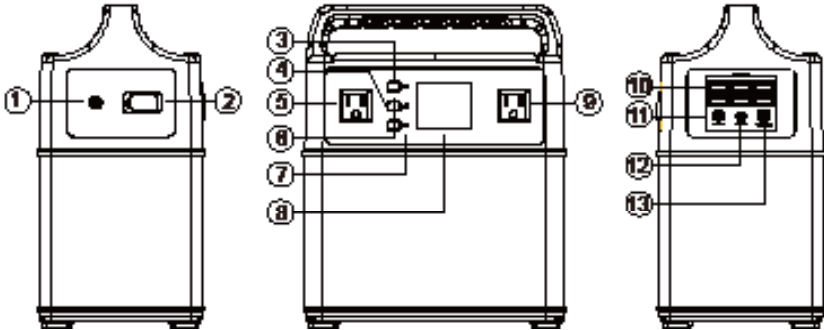
Our company provides customers with warranty of 12 months from the date of purchase.

Contact us

For any inquiries or comments concerning our products, please contact seller(**sale@bluetti.com**) and we will respond as soon as possible.

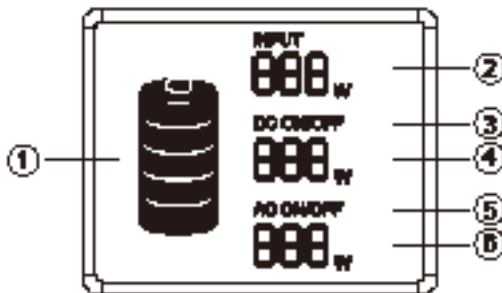
Bitte lesen Sie diese Bedienungsanleitung vor der Verwendung und befolgen Sie den Anweisungen. Bewahren Sie diese Bedienungsanleitung auf Zukunftsbezug.

Product Overview



- | | |
|--|--|
| 1. PV / Adapter-Ladeanschluss (6530) | 8. LCD Bildschirm |
| 2. Jumping - connection for 12V vehicles | 9. AC Ausgabeanschluss |
| 3. Hauptnetz - Taste (EIN / AUS) | 10. USB 5V Ausgangsanschlüsse (6mm) |
| 4. DC Netzschalter (EIN / AUS) | 11. 12V / 5A Ausgangsanschluss (5521) |
| 5. AC Ausgabeanschluss | 12. Typ-C QC3.0 Ausgangsport |
| 6. AC Netzschalter (EIN / AUS) | 13. 12V / 10A Ausgangsanschluss (7909) |
| 7. Strom EIN / AUS - Anzeigen | |

LCD Bildschirm



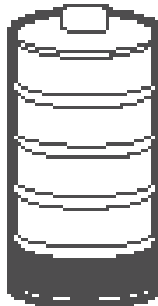
- | | |
|-------------------------|------------------------|
| 1. Batteriestand | 4. DC-Ausgangsleistung |
| 2. Eingangsladeleistung | 5. AC EIN / AUS |
| 3. DC EIN / AUS | 6. AC-Ausgangsleistung |

Die LCD - Batterie - Anzeige zeigt den Ladezustand an. Es gibt 5 Segmente der Batterie von angenäherten 20% ~ 40% ~ 60% ~ 80% ~ 100% Kapazität. Während der Verwendung werden Segmente, die verbleibende Kapazität anzeigt, aus dem Display nicht gesehen. Wenn es aufgeladen wird, blinkt ein Akku - Segment mit Abstand von 1 Sekunde. Dies zeigt den aktuellen Ladezustand und die Nummer unter INPUT zeigt die Echtzeit - Ladeleistung. Sobald es vollständig geladen ist, werden alle Batteriesegmente beleuchtet und solide bleibt.

Hinweis:

1. Bei Fehlfunktionen des Produkts werden Fehlercodes (E *, siehe FEHLERSUCHE, die weiter unten beschrieben wird) auf dem Bildschirm angezeigt.
2. Hintergrundbeleuchtung würde von selbst ausgeschaltet werden, wenn das Produkt für eine bestimmte Zeit im Leerlauf bleibt. Klicken Sie auf eine Schaltfläche, um die Hintergrundbeleuchtung einzuschalten.

Laden Sie Ihren PPS auf, wenn es nur ein Batteriesegment gibt!



Warnungen

1. Bitte lesen Sie den Warnhinweis sorgfältig vor dem Gebrauch. Folgen Sie den Anweisungen und bewahren Sie diese Anleitung zum späteren Nachschlagen auf.
2. Vermeiden Sie die Verwendung dieses Produkts, wenn es direkter Sonneneinstrahlung, Regen oder feuchter Umgebung ausgesetzt ist.
3. Dieses Produkt kann nicht in der Nähe von Heizkörpern, Öfen oder anderen Wärmequellen installiert werden.
4. Stellen Sie das Produkt in einen stabilen und gesicherten Bereich.
5. Bitte verwenden Sie ein trockenes Tuch, um dieses Produkt zu reinigen.
6. Bitte ändern oder zerlegen Sie dieses Produkt nicht.
7. Von Feuer fernhalten. Wenn eine Brandgefahr besteht, verwenden Sie einen Trockenpulver-Feuerlöscher an diesem Produkt. Die Verwendung von

Wasserfeuerlöschern an diesem Produkt kann zu Stromschlägen führen.

8. Betriebstemperatur: 0°C-40°C; Luftfeuchtigkeit bei Betrieb: 5% -90%

Lagerung und Wartung

1. Bitte laden Sie das Produkt vor der Lagerung vollständig auf und laden Sie es mindestens einmal alle 3 Monate auf.
2. Bewahren Sie dieses Produkt an einem kühlen, trockenen, gut belüfteten und gut zugänglichen Ort auf. Halten Sie das Produkt von Wasser, brennbaren Gasen, ätzenden Stoffen, Metallstaub und Salz fern. Lagertemperatur: 0°C-40°C.
3. Wenn Sie das Produkt nicht gemäß den Anweisungen verwenden, lagern und warten, erlischt die Garantie.

Unboxing

Bevor Sie das Paket öffnen, überprüfen Sie bitte, ob das Paket beschädigt ist oder nicht. Wenn das Produkt während der Lieferung beschädigt wird oder wenn Gegenstände bei der Ankunft verloren gehen, wenden Sie sich bitte an den Kundendienst von verkäufer, indem Sie eine E-Mail an **service@kayomaxtar.com** senden. Sie sollten die folgenden Elemente erhalten:

Item	Number of item
Tragbare Stromversorgung	1
AC-Ladegerät	1
Auto-ladekabel	1
Solar-Ladekabel	1
12V / 10A Ausgang zum Autoladekabel	1
Typ-C-Kabel	1
Auto Starthilfe Kabel	1
Benutzerhandbuch	1
Garantiekarte	1

● Was kann mit der tragbaren Stromversorgung versorgt werden

USB: Smart - Phone, MP3 - Player, Digitalkameras , Tablets, E - Reader, etc.

DC 12V - Ausgang: Dual - Ports für LED - Lampe vor allem.

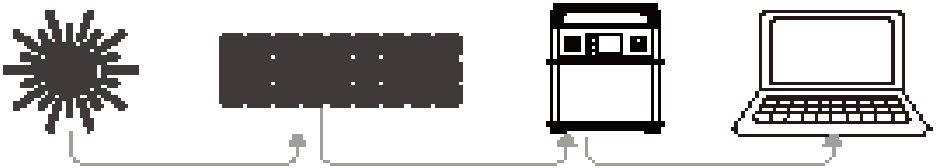
Zigarettenanzünderbuchse: Auto Kühlschränke, 12V Geräte usw.

AC - Ausgangsanschluss: Elektrogeräte (Stromrate unter 300W), wie z.B. Fernseher, Laptops, Küchenherd, usw.

Wie wird das Produkt aufgeladen?

Es gibt drei Möglichkeiten, das Produkt über ein Netzteil, Solarladekabel oder Autoladegerät aufzuladen.

● Laden mit Solar- Panel



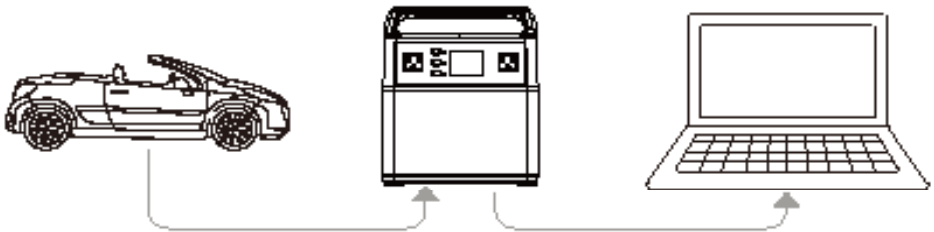
1. Schalten Sie den tragbaren Stromversorgung durch Drücken Hauptschalter - Taste für 2 Sekunden ein.
2. Platzieren Sie Ihr Solarpanel so, dass es möglichst direktem Sonnenlicht ausgesetzt ist.
3. Verbinden Sie das Solarpanel durch Solar - Ladekabel, stecken dann die Anderson - Stecker des Kabels in den Solar - Ladeanschluss auf der linken Seite der tragbaren Stromversorgung . Sie können den Ladezustand aus der LCD - Anzeige kennen.
4. Sie können mehrere Solarzellen miteinander parallel einschalten, um die Solarladezeiten zu reduzieren. Dieses Produkt kann maximal 120W Solarladeleistung aufnehmen. Die Leerlaufspannung des Solarpanels von 14v bis 40V sein sollte.
5. Ladevorgang wird mit dem eingebauten Systemsteuerschaltung - Modul stoppt , wenn die batterie vollgeladen ist.

● Charge with adapter



Schalten Sie das tragbare Netzteil ein, indem Sie den Hauptschalter für 2 Sekunden drücken. Stecken Sie den Gleichstromkopf in den PV / Adapter-Ladeanschluss des Produkts und verbinden Sie den Adapter mit der Steckdose. können Sie den Ladezustand aus der LCD - Anzeige kennen. Ladevorgang wird mit dem eingebauten Systemsteuerschaltung - Modul stoppt , wenn die Batterie vollgeladen ist.

● Laden mit Kfz - Ladegerät



Die Aufladung während des Fahrens ist eine gute Wahl. Schalten Sie den tragbaren Stromversorgung durch Drücken Hauptschalter - Taste für 2 Sekunden ein. Stecken Sie ein Ende des Kfz - Ladegerät an Ihren tragbaren Stromversorgung und das andere Ende an Autozigaretteneinfaßung Ihres Autos. Sie können den Ladezustand aus der LCD - Anzeige kennen.

Hinweis: Autozigaretteneinfaßung von 12 V kann nicht die tragbare Stromversorgung vollständig geladen werden, aber das 24 V System kann.

Verwendung des Produkts zum Aufladen anderer Geräte

1. Drücken Sie den Hauptschalter - Taste für 2 Sekunden, um die tragbare Stromversorgung einzuschalten, wird die Power - Anzeige und LCD leuchtet.
2. Drücken Sie die DC - Power - Taste unter dem Master - Taste für 2 Sekunden, um das DC - Gerät mit Strom zu versorgen. Drücken Sie die AC - Power - Taste unter der DC power - Taste für 2 Sekunden, um das AC - Gerät mit Strom zu versorgen. (Wenn kein bestimmte Ports verwendet werden, stellen Sie sicher, dass es ausgeschaltet wird, um Energie zu sparen)
3. Schliessen Sie das Gerät an die tragbare Stromversorgung .
4. Sie werden wissen, ob es andere Geräte die Stromversorgung eingeschliesst ist, wenn die Zahlen auf den LCD ändert. Die Zahlen geben die Menge der erhalten Energie Ihres Gerätes von der tragbaren Stromversorgung aus.
5. Drücken Sie die AC Power - Taste, DC Power - Taste, Master Power - Taste für 2

Sekunden, um den AC - Ausgang, DC - Ausgang und Hauptstromversorgung jeweils herunterzufahren.

6. Wenn die Hauptschalter - Taste eingeschaltet ist, wird die Hauptstromversorgung in 10 Minuten automatisch heruntergefahren, während der DC - und AC - Netzschalter ausgeschaltet sind. Drücken Sie die Hauptschalter - Taste für 2 Sekunden wieder, um das DC - Gerät neu zu starten.
7. Die tragbare Stromversorgung schaltet sich ab, wenn die Batteriekapazität unter 10% liegt.
8. Denken Sie immer daran, dass das Gerät ausgeschaltet wird, wenn Sie es nicht verwenden.
9. Wenn möglich, halten Sie Ihre tragbare Stromversorgung bevor langfristige Nichtnutzung in den vollständigen Auflade.

●50Hz / 60Hz Frequenzauswahl (Werkseinstellung: 60Hz)

Drücken Sie den Netzschalter 2 Sekunden lang, um die Maschine einzuschalten.

Drücken Sie dann gleichzeitig die Gleichstromtaste und die Wechselstromtaste, um den Frequenzregelungsmodus aufzurufen. Das LCD zeigt die aktuelle Frequenz an. Klicken Sie auf die Wechselstromtaste, um die Frequenz zwischen 50 Hz und 60 Hz umzuschalten. Drücken Sie gleichzeitig die Gleichstromtaste und die Wechselstromtaste, um den Frequenzregelungsmodus zu verlassen. Behalten Sie die Einstellung vor Ihrer nächsten Verwendung automatisch bei.

●Starthilfe für ein Auto



1. Stellen Sie sicher, dass der Gasmotor für Antrieb des Fahrzeugs nicht mehr als 4L ist.
2. Achten Sie darauf, dass die Leistung über 60% (vier Batterie Segmente) ist.
3. Achten Sie darauf, dass die Klemmen der Batterie nicht gebrochen werden.

Schritte:

1. Stecken Sie die intelligente Batterieklemmen in den springenden Anschluss Ihrer tragbaren Stromversorgung. Wenn grüne und rote Lichter auf gleichzeitig leuchten, wird die Verbindung korrekt bestätigt.

-
2. Schließen Sie die positiven und die negativen Polaritäten der Batterieklemmen an den positiven und negativen Polaritäten der Batterie (Rot +, schwarz -). Wenn das grüne Licht eingeschaltet ist, können Sie dann Ihr Auto starten. Wenn grüne und rote Lichter auf gleichzeitig leuchtet, können Sie versuchen, dass der Scheinwerfer eines Fahrzeugs oder einer Klimaanlage eingeschaltet wird (die Klemmen aktiviert werden müssen).
 3. Drehen Sie die Autoschlüssel, um das Auto zu starten.
 4. Schalten Sie die Klemmen mit den springenden Anschluss Ihrer tragbaren Stromversorgung ab. Der erste Schritt und der zweite Schritt kann ausgetauscht werden. Nur wenn die Kontrollleuchte der Klemmen grün wird, koennen Sie dann Ihr Auto zu starten.

Beachten!

1. Vor dem Start stellen Sie sicher, dass die roten und schwarzen Clips fest an die Batteriepole Ihres Autos klemmt werden, halten Sie die beiden Clips mit genügend Sicherheitsabstand, um die zwei ein Abfallen oder eine Kollision wegen der Motorvibrationen nach Autostart zu verhindern.
2. Es ist strengstens untersagt, der rote und schwarze Clip direkt zu verbinden, sonst kann es zu Unfällen führen.
3. Bewahren Sie weg von der Maschine beim Start des Fahrzeugs, um jede körperliche Verletzungen, die durch laufenden Motor verursacht wird, zu vermeiden.
4. Entfernen Sie bitte das Produkt von der Batterie innerhalb von 30 Sekunden, nachdem der Motor gestartet wird, sonst könnte es Schäden an der tragbaren Stromversorgung oder sogar Unfälle verursachen.
5. Bitte überprüfen Sie die Batteriekapazität vor jedem Neustart. Achten Sie darauf, dass die Leistung über 60% (vier Batterie Segmente) sein muss.
6. Menschen, die nicht mit diesem Produkt vertraut sind (vor allem Kinder), sind die Verwendung dieser Funktion strengstens untersagt.

Technische Spezifikationen

Model		EB40	
Batteriekapazität		400Wh(JP&UL)	400Wh(EU)
Batteriematerial		Wiederaufladbare Lithium-Ionen-Zelle	
Batteriemodell		INR18650	
Batterie-Nennspannung		11.1V(3S14P)	
Ausgabe			
AC-Ausgang	Dauerausgangsleistung (max.)	300W	300W
	Spitzenleistung	600W	600W
	Nennausgangsspannung	110Vac	230Vac
	Nennfrequenz	50/60Hz	50/60Hz
	Leistungsfaktor	1	1
	Überlast	100-150%@2min; >150%@10S	100-150%@2min; >150%@10S
	Eigenverbrauch (keine Last)	<5W	<10W
	Maximaler Wirkungsgrad (> 70% Last)	88%	88%
12V/10A Ausgangsport (7909)	Ausgangsspannung	12.6	12.6
	Bemessungsausgangsstrom	10A	10A
	Überlastschutzleistung	>140W	>140W
12V/5A Ausgangsport (5521)	Ausgangsspannungsbereich	10~12.6V	10~12.6V
	Nennleistung	60W	60W
	Überlastschutzleistung	>65W	>65W
Type-C Ausgangsport	Kommunikationsprotokolltyp	QC3.0	QC3.0
	Ausgangsspannungsbereich	3.6~12V(Standard 5V)	3.6~12V(Standard 5V)
	Bemessungsausgangsstrom	5V/2.5A, 9V/2A, 12V/1.5A	5V/2.5A, 9V/2A, 12V/1.5A
	Überlastschutzstrom	>3A	>3A
USB Ausgangsport (6 Stück)	Ausgangsspannung	5V	5V
	Imaler Ausgangsstrom	3A	3A
AC charge			
Charger (90W)		About 5Hrs	
PV-Ladung			
Max. PV Ladeleistung(120W)		About 4Hrs	

PV Eingangsspannungsbereich	12.6~40Vdc	12.6~40Vdc
Spannungsbereich	15-40Vdc	15-40Vdc
Max. Eingangsspannung	40Vdc	40Vdc
Max. Eingangsstrom	10A	10A
MPPT-Effizienz	99.50%	99.50%
Max. Effizienz	>96%	>96%
Art der Sonnenenergie	MPPT	MPPT
Haupteinheit		
IP-Bewertung	IP 21	
Arbeitsbedingung	Relative Luftfeuchtigkeit: 5%-90%	
	Temperatur: 0-40°C	
Maße	234*149*285mm	
Nettogewicht	5.6 kg	

Häufig gestellte Fragen

●Welche Art von Batterie?

SLA- oder AGM-Batterie. Sie kann länger dauern, wenn Sie sie nicht vollständig entleeren.

●Woher wissen Sie, ob Ihr tragbares Netzteil aufgeladen ist?

Sie können die Batterieanzeige einschalten. Wenn sie aufleuchtet, wird eine Batterielinie mit fünf Segmenten angezeigt, die den aktuellen Ladestand angibt. Sie können die Batterieanzeige durch Drücken der Hauptstromtaste einschalten. Sie können den tragbaren Strom verwenden Station auch wenn es nicht voll aufgeladen ist.

●Woher wissen Sie, ob Ihr Gerät mit diesem Produkt arbeiten möchte?

Zunächst müssen Sie die Stromstärke ermitteln, die für Ihr Gerät erforderlich ist. Dies kann einige Nachforschungen von Ihnen erfordern. Die Überprüfung des Benutzerhandbuchs für Ihr Gerät sollte ausreichen.

300 W für kontinuierliche Leistung von 300 W Dauerleistung. Dies bedeutet, dass der AC-Anschluss von einem Wechselrichter überwacht wird, der eine Dauerleistung von 300 W ermöglicht. Das tragbare Netzteil möchte abschalten.

●Entladetiefe (DOD)

Um die Lebensdauer der Batterie zu verlängern, möchten wir für dieses tragbare Netzteil eine DOD von 80%, was bedeutet, dass nur 80% von 400Wh entladen werden können.

●Wurde das Laden und Entladen gleichzeitig unterstützt?

Ja, dieses Kraftwerk kann während des Ladevorgangs verwendet werden. Um die Lebensdauer der Batterie besser zu schützen, empfehlen wir jedoch nicht, diese Durchgangsfunktion langfristig zu verwenden.

●Kann ich die Power Station mit zwei Solarpanels in Serie laden?

Ja, du kannst. Stellen Sie jedoch sicher, dass die gesamte Leerlaufspannung (OCV) nicht mehr als 40 V beträgt. Andernfalls kann es automatisch ausgeschaltet oder beschädigt werden.

●Wie kann die Ladezeit für CPAP verlängert werden?

Wir empfehlen, den Luftbefeuchter / Heizgerät auszuschalten und einen niedrigeren Druck einzustellen, um die Ladezeit für CPAP zu verlängern.

Fehlerbehebung

Wenn Ihr Gerät mit diesem tragbaren Netzteil geladen werden kann, gehen Sie folgendermaßen vor:

1. Stellen Sie sicher, dass der Hauptschalter eingeschaltet ist.
2. Stellen Sie sicher, dass der Ausgangsanschluss eingeschaltet wurde. Die grüne LED - Licht, die seinen Zustand anzeigt, sollte beleuchtet werden.
3. Überprüfen Sie die Anzeige der Batteriekapazität . Wenn es bei 20% oder unten ist, müssen Sie die tragbare Stromversorgung aufladen.
4. Überprüfen Sie, ob Ihr Gerät mit diesem Produkt geladen werden kann. Alle Ausgänge haben ihre eigene max Leistungskapazität . Überprüfen Sie, ob Ihr Gerät kompatibel ist. Wenn Sie immer noch Probleme mit diesem Produkt nach der Entstörung unter Kontrolle erleben, kontaktieren Sie uns.

Fehlercode	Störung Ursache	Fehlerbehebung
E01	System - Übertemperaturschutz	Überprüfen Sie die Umgebungstemperatur, ob es mehr als 45 °C ist. Der Ausgang wird wieder beginnt, wenn das Produkt abkühlt wird.
E02	Batterie - Überspannungsschutz	Trennen Sie das Ladegerät und neu starten
E03	Schutz vor Batterieschaden	Kontaktieren Sie uns
E04	Überspannungsschutz für die erste Batterie	Trennen Sie das Ladegerät und neu starten
E05	Überspannungsschutz für die zweite Batterie	Trennen Sie das Ladegerät und neu starten
E06	Überspannungsschutz für die dritte Batterie	Trennen Sie das Ladegerät und neu starten
E07	Unterspannungsschutz für die erste Batterie	laden Sie es in der Zeit und neu starten nachdem völligen Aufladen
E08	Unterspannungsschutz für die zweite Batterie	laden Sie es in der Zeit und neu starten nachdem völligen Aufladen
E09	Unterspannungsschutz für die dritte Batterie	Laden Sie es in der Zeit und neu starten nachdem völligen Aufladen
E10	Niedertemperatur - Entladungsschutz	Prüfen Sie, ob die Umgebungstemperatur niedriger als - 20 °C ist.
E11	Batterieunterspannungsschutz	Laden Sie es in der Zeit und neu starten nachdem völligen Aufladen
E12	Wechselrichter für Überstromschutz	Überprüfen Sie, ob der AC - Ausgangsüberlast oder Kurzschluss ist.
E13	Wechselrichter für Überlastschutz	Überprüfen Sie, ob der AC - Ausgangsüberlast ist.
E14	Wechselrichter für den Kurzschlusschutz	Überprüfen Sie, ob der AC - Ausgangsüberlast oder Kurzschluss ist.
E16	Überspannungsschutz für die Aufladung	Überprüfen Sie, ob die Eingangsspannung die maximale Wert überschreitet.
E19	Überstromschutz für 12v Zigarettenanzünder	Überprüfen Sie, ob der Ausgangsüberlast oder Kurzschluss ist.

E20	Überlastschutz für 12v Zigarettenanzünder	Überprüfen Sie, ob der Ausgangsüberlast ist.
E21	Überstromschutz für 12v DC Ausgang	Überprüfen Sie, ob der Ausgangsüberlast oder Kurzschluss ist.
E22	Überlastschutz für 12v DC Ausgang	Überprüfen Sie, ob der Ausgangsüberlast ist.
E23	Überstromschutz für USB1 Ausgang	Überprüfen Sie, ob der Ausgangsüberlast oder Kurzschluss ist.
E24	Überstromschutz für USB2 Ausgang	Überprüfen Sie, ob der Ausgangsüberlast oder Kurzschluss ist.
E25	Battery over temperature protection	Check if the environment temperature is higher than 40°C . Generator will recover to normal work after it cools down.

Garantie

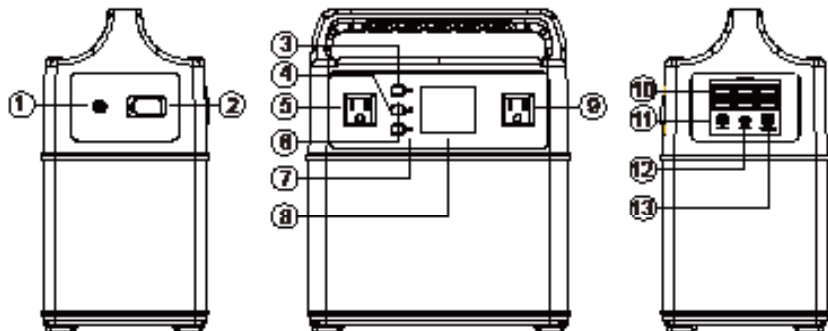
Wir bieten den Kunden eine Garantie von 12 Monaten ab Kaufdatum.

Kontaktieren Sie uns

Für Anfragen oder Kommentare zu unseren Produkten senden Sie bitte eine E-Mail an **sale@bluetti.com**, und wir werden Ihnen so schnell wie möglich antworten.

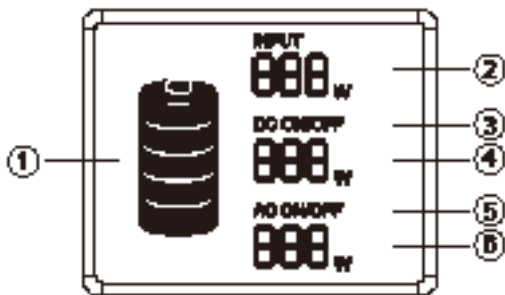
Veillez lire ce manuel avant utilisation et suivez ses instructions. Gardez ce manuel pour référence future.

Product Overview



- | | |
|--|--|
| 1. pv/adaptateur chargeur commentaires port (6530) | 7. Voyants de mise sous / hors tension |
| 2. Port de démarrage de 12V véhicule | 8. Affichage LCD |
| 3. Bouton d’Alimentation Principale (ON/OFF) | 9. port de sortie. |
| 4. Bouton d’Alimentation CC (ON/OFF) | 10. Port de Sortie USB 5V (6mm) |
| 5. port de sortie. | 11. port de sortie DC12V / 5A (5521) |
| 6. Bouton d’Alimentation CA (ON/OFF) | 12. Port de sortie QC3.0 de type C |
| | 13. port de sortie DC12V/10A (7909) |

Affichage LCD



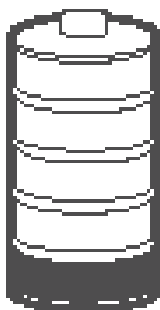
- | | |
|---------------------------------|---------------------------|
| 1. Niveau de batterie | 4. Puissance de sortie CC |
| 2. Puissance de charge d’entrée | 5. AC ON/OFF |
| 3. DC ON/OFF | 6. Puissance de sortie ca |

L'affichage LCD de batterie indique le niveau de charge. Il y a 5 segments pour de la batterie, indiquant respectivement les capacités de 20% - 40% - 60% - 80% - 100%. Lors de l'utilisation, les segments disparaîtront de l'affichage, indiquant la capacité restante. Au cours du chargement, un segment de batterie clignote à 1 seconde d'intervalle pour indiquer l'état actuel de charge et le nombre sous ENTRÉE montre la puissance de charge en temps réelle. Une fois la batterie est complètement chargée, tous les segments de batterie seront affichés en rétroéclairage.

Remarque :

1. Si le produit ne fonctionne pas correctement, les codes d'erreur (E*, consulter dépannage qui sera examinée ci - dessous) sont affichés à l'écran.
2. Le rétro-éclairage est désactivé par lui-même lorsque le produit reste inactif pendant un certain temps. Cliquez sur un bouton pour activer le rétro-éclairage.

Il faut effectuer une charge lorsqu'il n'y a qu'un segment de batterie !



Avertissements

1. Veuillez lire attentivement la section d'avertissement conservez ce manuel pour référence ultérieure.
2. Évitez d'utiliser ce produit lorsqu'il est exposé à la lumière directe du soleil, à la pluie ou à un environnement humide.
3. Ce produit ne peut pas être installé près du radiateur, du four ou de toute autre source de chaleur.
4. Placez le produit dans un endroit stable et sécurisé.
5. Veuillez utiliser un chiffon sec pour nettoyer ce produit.
6. Veuillez ne pas modifier ou démonter ce produit.
7. Gardez loin du feu. En cas de risque d'incendie, utilisez un extincteur à poudre sèche sur ce produit. L'utilisation d'un extincteur à l'eau sur ce produit peut entraîner un choc électrique.

8. Température de fonctionnement: 0°C à 40°C; Humidité de fonctionnement: 5% -90%.

Stockage et maintenance

1. S'il vous plaît charger complètement le produit avant le stockage et le charger au moins une fois tous les 3 mois.
2. Stockez ce produit dans un endroit frais, sec, bien ventilé et bien espacé. Tenir le produit à l'écart de l'eau, des gaz inflammables, des matières corrosives, de la poussière de métal et du sel. Température de stockage: 0°C à 40°C.
3. Ne pas utiliser, stocker et entretenir le produit conformément aux instructions annulerait la garantie.

Déballage

Avant d'ouvrir le colis, veuillez vérifier si le colis est endommagé ou non. Si le produit est endommagé lors de la livraison ou si des articles ont disparu à votre arrivée, veuillez contacter le service clientèle de le vendeur en envoyant un courrier électronique à l'adresse **service@kayomaxtar.com**. Vous devriez recevoir les éléments suivants:

Item	Number of item
groupe électrogène portable	1
AC Adaptateur (avec câble de charge AC)	1
voiture démarrer le câble	1
rge solaire câble	1
la tarification pour voiture 12/10A de câble	1
Câble de type C	1
voiture charging cable	1
Manuel de l'utilisateur	1
carte de garantie	1

●Appareils qui peuvent être alimentés par le dispositif d'alimentation portable

USB: Téléphone Intelligent, Lecteur MP3, Caméra Numérique, Tablette, Lecteur.

Électronique, etc. Ports de sortie 12V CC: Double port pour les lampes à LED.

Prise d'allume-cigarette: réfrigérateur de bord, appareils 12V, etc.

Port de Sortie CA: Appareils électriques (la puissance est inférieure à 300W), tels que

Téléviseurs, Ordinateurs Portables, Cuisinières, etc.).

Comment charger le produit

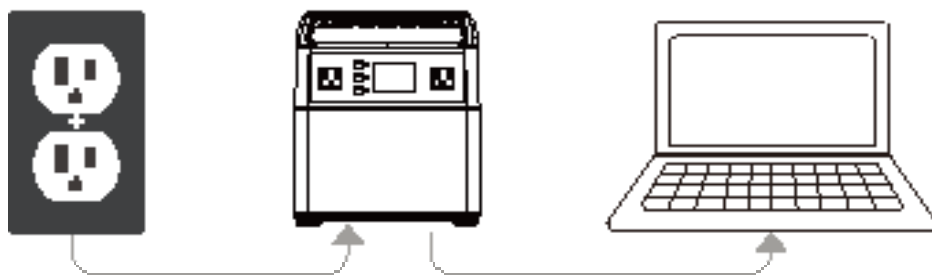
Il existe trois façons de charger le produit, en utilisant un adaptateur secteur, un câble de charge solaire ou un chargeur de voiture.

●Charge avec panneau solaire



1. Démarrez le dispositif d'alimentation portable en appuyant sur le bouton d'alimentation principale pendant 2 secondes.
2. Mettez votre panneau solaire à l'endroit ensoleillé.
3. Connectez le panneau solaire avec le câble de charge solaire, puis insérez la prise Anderson du câble dans le port de charge solaire sur le côté gauche du dispositif d'alimentation portable. Vous pouvez voir l'état de charge sur l'affichage LCD.
4. Vous pouvez connecter en parallèle plusieurs panneaux solaire pour réduire la durée de recharge solaire. Ce produit a une puissance maximale de charge solaire de 120W. La tension à circuit ouvert du panneau solaire devrait être entre 14V et 40V.
5. Grâce au module de circuit de contrôle du système intégré avancé, la charge s'arrêtera lorsque la batterie est complètement chargée.

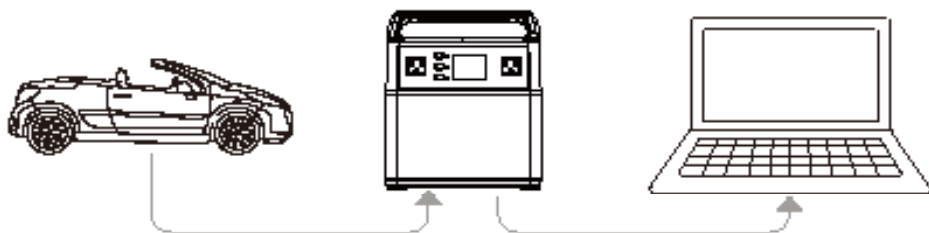
●Charger avec adaptateur



Démarrez le dispositif d'alimentation portable en appuyant sur le bouton d'alimentation

principale pendant 2 secondes. Branchez l'adaptateur à la prise murale. Insérez la tête CC dans le port de charge PV / Adaptateur du produit, puis connectez l'adaptateur à la prise secteur., puis connectez le chargeur à l'alimentation secteur. vous pouvez voir l'état de charge sur l'affichage LCD. Grâce au module de circuit de contrôle du système intégré avancé, la charge s'arrête lorsque l'appareil est complètement chargé. L'adaptateur comprend deux parties. Connectez les deux parties en branchant le câble dans le boîtier.

●Charger avec chargeur de voiture



C'est un bon choix d'effectuer une charge pendant que la voiture roule. Faites fonctionner le dispositif d'alimentation portable en appuyant sur le bouton d'alimentation pendant 2 secondes.

Branchez un bout du chargeur de voiture à votre dispositif d'alimentation portable, branchez l'autre bout à la prise d'allume-cigarette de votre voiture. Vous pouvez connaître l'état de charge sur l'affichage LCD.

Remarque: La prise d'allume-cigarette 12V ne peut pas charger complètement le dispositif d'alimentation portable, il faut utiliser une prise de 24V.

Comment utiliser le produit pour charger un autre appareil

1. Appuyez sur le bouton d'alimentation principale pendant 2 secondes pour démarrer le dispositif d'alimentation portable, puis l'indicateur d'alimentation et LCD seront allumés.
2. Appuyez sur le bouton d'alimentation CC pendant 2 secondes pour alimenter l'appareil CC. Appuyez sur le bouton d'alimentation CA pendant 2 secondes pour alimenter l'appareil CA. (Lorsque certains ports ne sont pas en utilisation, assurez-vous qu'ils sont désactivés pour économiser l'énergie.)
3. Connectez votre appareil au dispositif d'alimentation portable.

4. Vous connaîtrez si d'autres appareils sont alimentés lorsque les chiffres sur l'affichage LCD changent. Les chiffres indiquent la quantité d'électricité que vos appareils obtiennent à partir du dispositif d'alimentation portable.
5. Appuyez sur le bouton d'alimentation CA, le bouton d'alimentation CC et le bouton d'alimentation principale pendant 2 secondes pour arrêter respectivement la sortie CA, la sortie CC et l'alimentation principale.
6. Lorsque le bouton d'alimentation principale est allumé pendant que les boutons d'alimentation CC et CA sont éteints, l'alimentation principale s'éteindra automatiquement 10 minutes plus tard. Vous devez appuyer sur le bouton principal pendant 2 secondes pour la redémarrer.
7. Le dispositif d'alimentation portable s'arrêtera lorsque la capacité de la batterie est inférieure à 10%.
8. N'oubliez jamais de mettre le produit hors tension si vous ne l'utilisez pas.
9. Si possible, assurez-vous que votre dispositif d'alimentation portable soit pleinement rechargé avant une longue non-utilisation.

●Sélection de fréquence 50Hz / 60Hz (réglages d'usine: 60Hz)

Appuyez sur le commutateur marche / arrêt pendant 2 secondes pour allumer la machine, puis appuyez simultanément sur les boutons d'alimentation CC et CA pour passer en mode de régulation de la fréquence. L'écran LCD affiche la fréquence actuelle. Cliquez sur le bouton d'alimentation CA pour alterner la fréquence entre 50Hz et 60Hz. Appuyez simultanément sur les boutons d'alimentation CC et CA pour quitter le mode de régulation de la fréquence. Conservez automatiquement le réglage avant votre prochaine utilisation.

●Démarrage d'un véhicule



1. Assurez-vous que la cylindrée du véhicule n'est pas supérieure à 4L.
2. Assurez-vous que la capacité de batterie est supérieure à 60% (quatre segments de batterie sont pleins).
3. Assurez-vous que les pinces de batterie ne sont pas endommagées.

Procédure:

1. Stecken Sie die intelligente Batterieklemmen in den springenden Anschluss Ihrer tragbaren Stromversorgung. Wenn grüne und rote Lichter auf gleichzeitig leuchten, wird die Verbindung korrekt bestätigt.
2. Schließen Sie die positiven und die negativen Polaritäten der Batterieklemmen an den positiven und negativen Polaritäten der Batterie (Rot +, schwarz -). Wenn das grüne Licht eingeschaltet ist, können Sie dann Ihr Auto starten. Wenn grüne und rote Lichter auf gleichzeitig leuchtet, können Sie versuchen, dass der Scheinwerfer eines Fahrzeugs oder einer Klimaanlage eingeschaltet wird (die Klemmen aktiviert werden müssen).
3. Drehen Sie die Autoschlüssel, um das Auto zu starten.
4. Schalten Sie die Klemmen mit den springenden Anschluss Ihrer tragbaren Stromversorgung ab. Der erste Schritt und der zweite Schritt kann ausgetauscht werden. Nur wenn die Kontrollleuchte der Klemmen grün wird, koennen Sie dann Ihr Auto zu starten.

Beachten!

1. Branchez les pinces de batterie intelligente au port de démarrage de votre dispositif d'alimentation portable. Si les voyants vert et rouge sont allumés simultanément, la connexion est correcte.
2. Connectez les polarités positive et négative des princes de batterie aux polarités correspondantes de la batterie (rouge pour +, noir pour –). Si le voyant vert est allumé, vous pouvez démarrer votre voiture. Si les voyants vert et rouge sont allumés simultanément, vous pouvez essayer d'allumer le phare du véhicule ou de faire fonctionner le climatiseur (les pinces doivent être activées).
3. Tournez la clé pour démarrer la voiture.
4. Déconnectez les pinces de la batterie et du port de démarrage de votre dispositif d'alimentation portable. Les deux premiers pas peuvent être échangés. Vous pouvez démarrer votre voiture seulement lorsque l'indicateur des pinces s'allume en vert.

Remarquer

1. Avant le démarrage, assurez-vous que les attaches rouge et noire sont bien fixées aux pôles de batterie de votre voiture, gardez une distance de sécurité suffisante entre les deux attaches pour les empêcher de tomber ou de se heurter à cause de la vibration du moteur après le démarrage de la voiture.
2. Il est strictement interdit de connecter directement les attaches rouge et noire afin

d'éviter des accidents.

- Éloignez-vous du moteur lorsque la voiture démarre afin d'éviter toute blessure physique qui serait causée par le fonctionnement du moteur.
- Retirez le produit de la batterie en 30 secondes après le démarrage du moteur pour empêcher d'endommager le dispositif d'alimentation portable ou même de causer un accident.
- Vérifiez la capacité de batterie avant chaque redémarrage. Assurez-vous que l'énergie soit supérieure à 60% (quatre segments de batterie)
- Ceux qui ne connaissent pas bien ce produit (surtout les enfants) sont strictement interdits d'utiliser cette fonction.

Spécifications techniques

Modèle		EB40	
Capacité de la batterie		400Wh(JP&UL)	400Wh(EU)
Matériau de la batterie		Pile rechargeable au lithium-ion	
Modèle de batterie		INR18650	
Tension nominale de la batterie		11.1V(3S14P)	
Sortie			
Sortie ca	Puissance de sortie continue (max.)	300W	300W
	Sortie de pointe	600W	600W
	Tension de sortie nominale	110Vac	230Vac
	Fréquence nominale	50/60Hz	50/60Hz
	facteur de puissance	1	1
	Surcharge	100-150%@2min; >150%@10S	100-150%@2min; >150%@10S
	Autoconsommation (sans charge)	<5W	<10W
Efficacité maximale (charge>70%)	88%	88%	
Port de sortie 12V / 10A (7909)	Plage de tension de sortie	12.6	12.6
	Puissance de sortie nominale	10A	10A
	Protection contre la surcharge	>140W	>140W
Port de sortie 12V/5A (5521)	Plage de tension de sortie	10~12.6V	10~12.6V
	Puissance de sortie nominale	60W	60W
	Protection contre la surcharge	>65W	>65W

Port de sortie de type c	Type de protocole de communication	QC3.0	QC3.0
	Plage de tension de sortie	3.6~12V(défaut 5V)	3.6~12V(défaut 5V)
	Courant de sortie nominal	5V/2.5A, 9V/2A, 12V/1.5A	5V/2.5A, 9V/2A, 12V/1.5A
	Surcharge courant de protection	>3A	>3A
Ports de sortie USB (6pcs)	Tension de sortie	5V	5V
	Courant de sortie	3A	3A
AC charge			
Charger (90W)		About 5Hrs	
Charge PV			
Max. PV charge power (120W)		About 4Hrs	
Gamme de tension d'entrée PV		12.6~40Vdc	12.6~40Vdc
plage de tension		15-40Vdc	15-40Vdc
Max. tension d'entrée		40Vdc	40Vdc
Max. courant d'entrée		10A	10A
Efficacité MPPT		99.50%	99.50%
Max. Efficacité		>96%	>96%
Type de charge d'énergie solaire		MPPT	MPPT
Unité principale			
Classification IP		IP 21	
Condition de travail		Humidité relative: 5% -90%	
		Température: 0-40°C	
Dimensions		234*149*285mm	
Poids net		5.6 kg	

Questions Fréquemment Posées

● Quel type de batterie?

La batterie au lithium-ion est beaucoup plus petite et plus légère que la batterie SLA et avec une durée de cyclage plus longue que les batteries normales SLA ou AGM. La batterie au lithium-ion peut fonctionner plus longtemps si vous ne déchargez pas toute la capacité lors de chaque utilisation.

● Comment sais-je si mon dispositif d'alimentation portable

est chargé ?

Pour vérifier l'état de charge de votre dispositif d'alimentation portable, voyez l'affichage LCD de batterie. Sur l'écran, vous verrez une icône de batterie de cinq segments, indiquant le niveau de charge actuel. Vous pouvez allumer l'affichage de batterie en appuyant sur le bouton d'alimentation principale. Vous pouvez utiliser votre PS5B même l'appareil n'est pas pleinement chargé.

●Comment sais-je si mon appareil peut être alimenté par ce produit ?

D'abord, vous devez connaître la puissance de fonctionnement de votre appareil. Vous pouvez rechercher les informations concernées sur Internet ou voir le guide d'utilisateur de votre appareil. Deuxièmement, vous devez vérifier la puissance de chaque port de sortie. Par exemple, la puissance de sortie du port CA est fournie par un onduleur dont la puissance de sortie continue maximale est de 300W. Cela signifie que si la puissance de votre appareil est supérieure à 300W pendant une longue durée, le dispositif d'alimentation portable sera éteint.

●Profondeur de décharge

Pour prolonger la durée de vie de la batterie, nous avons fixé une DOD de 80% pour cette alimentation portable, ce qui signifie que seulement 80% des 400Wh peuvent être déchargés.

●At-il supporté la charge et la sortie simultanément?

Oui, cette centrale peut être déchargée pendant la charge. Mais pour mieux protéger la durée de vie de la batterie, nous ne vous suggérons pas d'utiliser cette fonction d'intercommunication à long terme.

●Puis-je charger la centrale avec deux panneaux solaires en série?

Oui, vous pouvez. Mais assurez-vous que la tension totale à vide (OCV) n'est pas supérieure à 40V. sinon, il pourrait s'éteindre automatiquement ou causer des dommages.

●Comment prolonger le temps de charge pour CPAP?

Nous vous suggérons d'éteindre l'humidificateur / chauffage et de régler une pression plus basse pour obtenir un temps de charge plus long pour le CPAP.

Dépannage

Si ce dispositif d'alimentation portable ne peut pas alimenter d'autres appareils, suivez les étapes suivantes:

1. Assurez-vous que le Bouton d'Alimentation Principale est activé.
2. Assurez-vous que les interrupteurs CA et CC sont activés. Le voyant à LED à droite de l'interrupteur est allumé en vert.
3. Vérifiez la capacité restante de la batterie, si elle affiche 20% ou moins, vous avez besoin de recharger le dispositif d'alimentation portable.
4. Vérifiez si votre appareil est approprié pour être chargé avec ce produit. Tous les ports de sortie ont leur propre capacité électrique maximale. Vérifiez ces ports pour vous assurer que votre appareil est compatible. Si vous avez encore des problèmes avec le produit après les dépannages ci-dessous, veuillez nous contacter.

Code de Défaillance	Cause de Défaillance	Dépannage
E01	Protection du système contre les surchauffes	Vérifiez si la température ambiante est supérieure à 45°C. La sortie recommencera après le refroidissement de ce produit.
E02	Protection de la batterie contre la surtension	Déconnectez le chargeur et redémarrez le dispositif.
E03	Protection de la batterie contre les dommages	Contactez-nous
E04	Protection de la 1ère batterie contre la surtension	Déconnectez le chargeur et redémarrez le dispositif.
E05	Protection de la 2e batterie contre la surtension	Contactez-nous
E06	Protection de la 3e batterie contre la surtension	Déconnectez le chargeur et redémarrez le dispositif.
E07	Protection de la 1ère batterie contre la sous-tension	Chargez à temps le dispositif et le redémarrez après la charge complète.
E08	Protection de la 2e batterie contre la sous-tension	Chargez à temps le dispositif et le redémarrez après la charge complète.
E09	Protection de la 3e batterie contre la sous-tension	Chargez à temps le dispositif et le redémarrez après la charge complète.

E10	Protection contre la décharge à basse température	Vérifiez si la température ambiante est inférieure à -20°C.
E11	Protection de la batterie contre la sous-tension	Chargez à temps le dispositif et le redémarrez après la charge complète.
E12	Protection de l'onduleur contre les surintensités	Vérifiez si la sortie CA est en surcharge ou en court-circuit.
E13	Protection de surcharge de l'onduleur	Vérifiez si la sortie CA est en surcharge
E14	Protection de l'onduleur contre les courts-circuits	Vérifiez si la sortie CA est en surcharge ou en court-circuit.
E16	Protection de charge contre la surtension	Vérifiez si la tension d'entrée excède le maximum.
E17	Protection de charge à basse température	Vérifiez si la température ambiante est inférieure à 0°C.
E19	Protection de la prise allume-cigarette 12V contre les surintensités	Vérifiez si le port de sortie est en surcharge ou en court-circuit.
E20	Protection de la prise allume-cigarette 12V contre la surcharge	Vérifiez si le port de sortie est en surcharge.
E21	Protection de la sortie CC 12 V contre les surintensités	Vérifiez si le port de sortie est en surcharge ou en court-circuit.
E22	Protection de la sortie CC 12V contre la surcharge	Vérifiez si le port de sortie est en surcharge.
E23	Protection de la sortie USB1 contre les surintensités	Vérifiez si le port de sortie est en surcharge ou en court-circuit.
E24	Protection de la sortie USB2 contre les surintensités	Vérifiez si le port de sortie est en surcharge ou en court-circuit.

Garantie

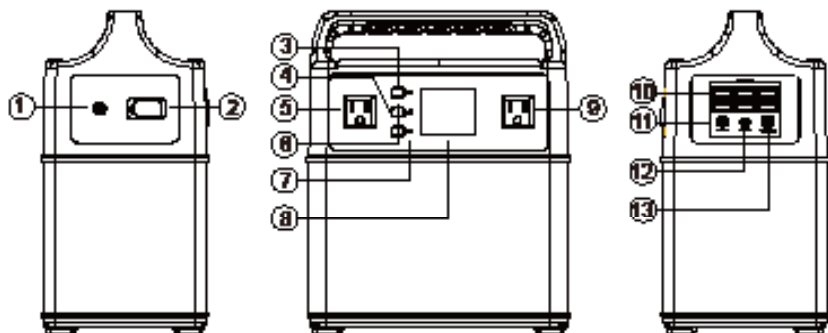
Notre société offre aux clients une garantie de 12 mois à compter de la date d'achat.

Contactez nous

Pour toute question ou commentaire concernant nos produits, veuillez envoyer un email à sale@bluetti.com, et nous vous répondrons dans les plus brefs délais.

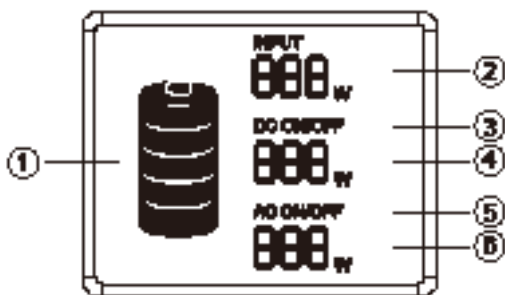
ご使用前に必ずこの取扱説明書をよくお読みください。正しくお使いください。なお、お読みになったあとは、お使いになる方がいつでも見られるところに必ず保管してください。

各部の名称



- | | |
|-----------------------|-------------------------|
| 1、入力ポート (P V / アダプター) | 8、LCD ディスプレイ |
| 2、車用ジャンプスターターポート | 9、AC 出力ポート |
| 3、メイン電源スイッチ | 10、USB 5V 出力ポート (6mm) |
| 4、DC 電源スイッチ | 11、12V/5A 出力ポート (5521) |
| 5、AC 出力ポート | 12、Type-C QC3.0 出力ポート |
| 6、AC 入力スイッチ | 13、12V/10A 出力ポート (7909) |
| 7、電源表示ランプ | |

LCDディスプレイ



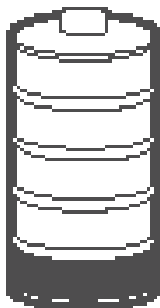
- | | |
|-------------|-------------|
| 1、電源残量表示 | 4、DC 出力電力 |
| 2、充電パワー | 5、AC ON/OFF |
| 3、DC ON/OFF | 6、AC 出力電力 |

● LCD バッテリーディスプレイ

LCDバッテリーディスプレイは充電レベルを表示します。バッテリーに5セグメントがあり、即ち20%~40%~60%~80%~100%容量を示します。ご使用する際に、セグメントはディスプレイに消失し、残存容量を示します。充電が始まると、バッテリーセグメントは1秒おきに点滅します。これは当時の充電ステータスを示します。尚、INPUTの下の数字はその際の充電効率を示します。電力が一旦フルになった後、全てのバッテリーセグメントがついています。

注意：

1. 製品が誤動作すると、画面にエラーコードが表示されます。
 2. 製品が一定時間休眠状態になったら、バックライトは自動的にオフになります。ボタンをクリックするとバックライトはオンにします。
- バッテリーセグメントが一つしかない、充電してください！



警告

1. ご使用前に必ず警告内容をよくお読みいただき、正しくお使いください。なお、お読みになったあとは、お使いになる方がいつでも見られるところに必ず保管してください。
2. 直射日光の当たる場所や雨や湿気の多い場所での使用は避けてください。
3. ラジエーター、オープン、その他の熱源の近くには設置しないでください。
4. 本製品を平らで安定した場所に置きます。
5. 本製品が汚れた場合、乾いた布で拭いてください。
6. 本製品を分解、または改造しないでください。
7. 火から遠ざけてください。万が一火災が発生したら、本製品に粉末消火剤で消火してください。水系消火器を使用した場合は感電の恐れがあります。
8. 動作温度 :0° C~40° C; 動作湿度 :5%~90%。

保管及びメンテナンス

1. 保管する前にフル充電し、3ヶ月に1回充電してください。
2. 乾燥した、涼しい、換気の良い場所で、保管すること。水、可燃性ガス、腐食性物質、金属粉塵、塩 から離して保管してください。保存温度 :0° C~40° C。
3. 指示に従って製品を使用、保管、および保守しないと、保証が無効になります。

荷物の開封について

荷物を開封する前に、荷物が破損しているかどうかを確認してください。配送中に商品が破損した場合や到着時に商品が紛失した場合は、販売者 (メールアドレス :service@kayomaxtar.com) までにご連絡ください。パッケージ内容は下記とあります。

内容	数量
ポータブル電源	1
ACアダプター	1
車載充電ケーブル	1
ソーラーパネル充電ケーブル	1
12V/10A シガーソケットケーブル	1
Type-C to type-C 充電用ケーブル	1
ジャンプスター用ケーブル	1
取扱説明書	1
保証書	1

●ポータブル電源を使い、何を充電できますか？

USB：スマホ、MP3 プレイヤー、デジタルカメラ、タブレットなど電子デバイス。

DC12V アウトポートポート：主に LED ランプ向けのポートが二つ

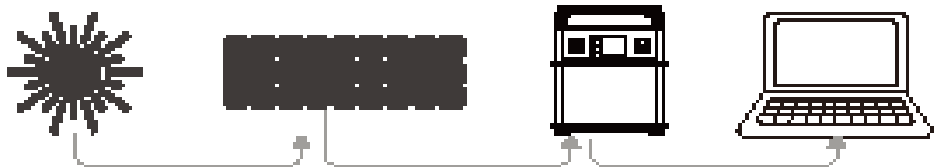
シガーライターソケット：車載冷蔵庫、12V 設備など。

ACアウトポートポート：電気設備(電力が300W以下)。例えば：テレビ、ラップトップ、調理器具など。

本製品への充電方法について

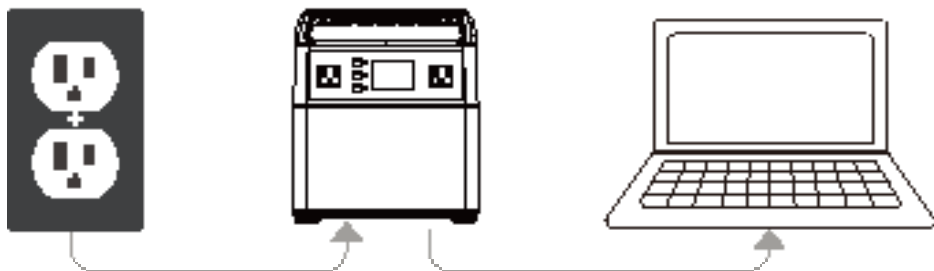
本製品への充電方法はACアダプター充電、ソーラーパネル充電、カーチャージ三つの充電方法があります。

●ソーラーパネル充電



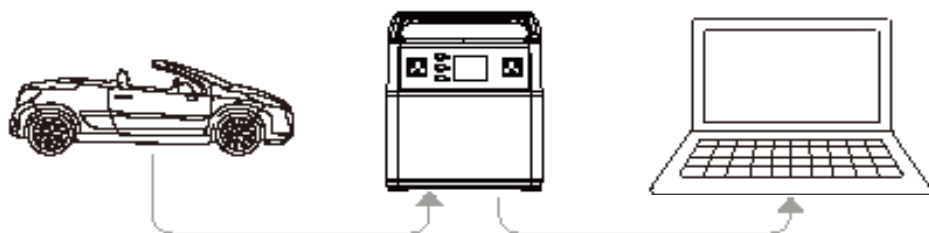
1. メインパワーボタンを2秒押して、ポータブルパワーサプライを立ち上げます。
2. お使いのソーラーパネルを直射日光に最も多く当たる所に置いてください。
3. ソーラー充電ケーブルをソーラーパネルに接続し、ケーブルの端子をポータブルパワーサプライの左側にあるソーラー充電ポートに挿入してください。LCDディスプレイに充電状態が見えます。
4. 複数のソーラーパネルを使えば、充電時間を短縮できます。ソーラー充電パワーの最高値の120Wに達せます。ただし、ソーラーパネルの電圧は範囲が14Vから40Vまでとします。
5. バッテリーの電力がフルになる次第、内蔵式回路制御モジュールが作動し、充電は中止します。

● AC アダプター充電



メインパワーボタンを2秒押して、ポータブルパワーサプライを立ち上げます。DCヘッダを製品のDC入力ポートに挿入してから、充電器をAC電源(ACコンセント)に接続します。これで、LCDディスプレイから充電状態がわかります。フル充電後、内蔵式制御回路モジュールが作動し、充電は完了します。アダプタは二つの部分からなっていますが、ケーブルをボックスに挿入することで、二つの部分を繋げます。

● カーチャージ充電



長時間運転する時に、気楽な充電方法になります。メインパワーボタンを2秒押し、ポータブルパワーサプライを立ち上げます。カーチャージャーの片側をポータブルパワーサプライに挿入し、相手側をカーシガーソケットに差し込みます。それで、LCD ディスプレイより充電状態が見えます。

ご注意:12V自動車のカーシガーソケットだと、ポータブルパワーサプライをフルに充電できませんが、24 自動車だったらできます。

ご注意:12V自動車のカーシガーソケットだと、ポータブルパワーサプライをフルに充電できませんが、24 自動車だったらできます。

使用方法

- 1.メインパワーボタンを2秒押し、ポータブルパワーサプライを立ち上げます。それで、パワー表示ライトも LCD も点灯します。
- 2.メインボタンの下にあるDCパワーボタンを2秒押し、DCデバイスを立ち上げます。その下にあるACパワーボタンを2秒押し、ACデバイスを立ち上げます。(電力節約に、使わないポートの電源をオフにしてください)
- 3.お使いのデバイスをポータブルパワーサプライに接続してください。
- 4.LCDの数字の変わりによって、その他のデバイスを充電しているか分かります。当該数字はお使いのデバイスがポータブルパワーサプライから得た電力を示します。
- 5.ACパワーボタン、DCパワーボタン、メインパワーボタンを2秒押し、ACアウトプット、DCアウトプット及びメインパワーサプライ電源をそれぞれ遮断します。
- 6.メインパワーボタンをオンに、DCとACパワーボタンをオフにしたら、メインパワーサプライは10分以内自動に遮断します。再起動するには、再びメインボタンを2秒押ししてください。
- 7.バッテリー残量が10%以下になる場合、ポータブルパワーサプライは自動的に電源を切れます。
- 8.長期間使用しない場合、可能な限り、お使いのポータブル電源をフル充電してください。

●電源周波数の切替える手順（出荷設定：60Hz）

まず、メインパワーボタンを2秒押しして本製品を立ち上げます。それから、DC出力パワーボタンとAC出力パワーボタンを同時に押すことで電源周波数の切替モードに入ります。そこで、スクリーンは当時の電源周波数が表します。それで、AC出力パワーボタンを押すことで50Hz⇄60Hzの間で切替します。ご希望の頻率が出たら、再びDC出力パワーボタンとAC出力パワーボタンを同時に押すことで選定し、周波数の切替が完了します。(本製品が再起動のたび、当時の頻度は前回切れたときの設定と一致しています。)

●ご利用について

ポータブル電源で他のデバイスを充電する時、LCDバッテリーディスプレイにご注意ください。もし、ハイパワーのデバイス(例えば冷蔵庫)につなげる場合、電力が快速的に放電し、実際の効率は

400Whを得ない恐れがあります。一方、ゆっくりとパワーを消耗するデバイス(小型TV)を充電すると、ポータブルパワーサプライから400Wh 近くのパワー効率を得られます。

動作(充電)時間が短い場合、お使いのデバイスのパワー効率基準をご確認ください。(トラブルシューティングをご参照ください。)

●自動車をジャンプスタート充電



1. 車のエンジン排気量が 4L 以下であることを確保してください。
2. パワーが 60% (4 セグメント) 以上であることを確保してください。
3. バッテリクランプが破損していないことを確保してください。
4. バッテリクランプの一端をポータブルパワーサプライのジャンプポートに挿入してください。緑と赤のライトが同時に点灯することは、接続が正しいということです。
5. バッテリクランプのもう一端の陽極と陰極をそれぞれバッテリーの陽極と陰極(+:赤, -:黒)に接続してください。緑のランプが点灯してから、車を起動してもいいです。もし、緑と赤のライトが同時に点灯すると、車のヘッドランプかエアコンをオンしてみてください。(クランプはアクティベートされる必要がある)
6. キーで自動車を起動してください。
7. バッテリクランプの一端を本製品から外してください。ステップ1とステップ2は入れ替えてもいいです。ただし、クランプの表示ライトが緑になってから車を起動してください。

ご注意

1. 自動車を起動後、エンジンの振動によるクリップの脱落や衝突を防ぐために、スタートする前に、赤と黒のクリップがしっかりと車のバッテリー極にクランプしたことを確認し、尚、二つのクリップの間に十分な安全距離を開けてください。
2. 赤と黒のクリップを直接に接続することを厳禁します。さもないと、事故が発生しかねません。
3. 車のエンジンの動作による人身事故を防ぐために、車を起動時、エンジンから離れてください。
4. エンジン起動後30秒以内に、本製品を自動車のバッテリーから外してください。さもないと、本製品にダメージを与えるか、事故を引き起こす恐れがあります。
5. 再起動する前に、バッテリー容量をチェックしてください。電力が60%(4セグメント)以上になっていることを確保してください。
6. 本製品の操作に慣れていない人(特に子供)による本機能の使用を禁止します。

製品仕様

モデル		EB40	
バッテリー容量		400Wh(JP&UL)	400Wh(EU)
リチウムイオン		リチウムイオン	
バッテリーモデル		INR18650	
バッテリー電圧		11.1V(3S14P)	
出力			
AC 出力	定格出力電力	300W	300W
	ピーク出力電力	600W	600W
	定格出力電圧	110Vac	230Vac
	定格周波数	50/60Hz	50/60Hz
	力率	1	1
	過負荷容量	100-150%@2min; >150%@10S	100-150%@2min; >150%@10S
	無負荷消費電力	<5W	<10W
	最大効率 (> 70 % 負荷電力)	88%	88%
DC12V/10A 出力 (7909)	出力電圧	12.6	12.6
	出力電流 (最大)	10A	10A
	過負荷電力	>140W	>140W
出力電圧範囲	出力電圧範囲	10~12.6V	10~12.6V
	出力電力	60W	60W
	過負荷電力	>65W	>65W
Type-C 出力	QC 対応	QC3.0	QC3.0
	出力電圧範囲	3.6~12V(既定値 5V)	3.6~12V(既定値 5V)
	出力詳細	5V/2.5A, 9V/2A, 12V/1.5A	5V/2.5A, 9V/2A, 12V/1.5A
	過負荷電流	>3A	>3A
USB 出力 (6口)	出力電圧	5V	5V
	出力電流	3A	3A
AC 入力			
入力 (90W)		約 5 時間	
PV 入力			
最大入力電力 (120W)		約 4 時間	

入力電圧範囲	12.6~40Vdc	12.6~40Vdc
電圧範囲	15-40Vdc	15-40Vdc
最大電圧	40Vdc	40Vdc
最大電流	10A	10A
MTTP 電圧範囲	99.50%	99.50%
最大効率	>96%	>96%
ソーラー充電モード	MPPT	MPPT
バッテリー		
IP 格付け	IP 21	
作業条件	相対湿度: 5%-90%	
	温度: 0-40° C	
寸法	234*149*285mm	
正味重量	5.6 kg	

よくある質問

●バッテリーのタイプは何ですか？

リチウムイオンバッテリーです。普通のSLAバッテリーと比べて、小型で軽しい、普通のSLAかAGMバッテリーより長持ちです。完全に放電しない限り、もっと長持ちできます。

●お使いのポータブル電源が充電されているか如何に判断できますか？

LCDバッテリーディスプレイを見ながら、お使いのポータブルパワーサプライの充電状態が確認できます。ライトアップされた後、五つのセグメントからなっているバッテリー輪郭(現在の充電レベルを示す)が見えます。メインパワーボタンを押すことで、バッテリーディスプレイを立ち上げられます。フル充電ができていなくても、本製品を使ってもいいです。

●本製品がデバイスに働くかどのようにわかりますか？

まず、お使いのデバイスに必要な電力量を確認する必要があります。そのデバイスの説明書をチェックするとすぐわかります。次、それぞれの輸出ポートの容量を確認する必要があります。例えば、本製品のACポートは300Wです。即ち、もしお使いのデバイスは長時間300W以上の電力を引くと、ポータブル電源は遮断します。

●DOD (Depth Of Discharge)

DODは放電深度で、電気容量に対して、放電できる電気量を比率で表したものです。本製品は電池容量が確かに400Whありますが、内臓の蓄電池の使用壽命を確保するために、80%の放電DODを設定されておりました。というわけで、放電した電気量は400Whの80%ぐらいになります。

(商品の放熱にも消耗があります。)

●このバッテリーを充電しながら、他のデバイスを充電することはできますか？

このバッテリーは充電しながら放電する機能を搭載しております。しかし、充電しながら放電するやり方はバッテリーの耐久性に影響がありますから、長い期間の使用がおすすめしません、ご了承ください。

トラブルシューティング

もし、お使いのデバイスはポータブルパワーサプライで充電できる場合、下記ステップに従ってください：

1. メインパワーボタンがオンされたことを確保してください。
2. 輸出ポートがオンにされたことを確保してください。その状態を示す緑のLEDライトは点灯されるべきです。
3. バッテリー容量ディスプレイを確認してください。もし、20%以下であれば、ポータブルパワーサプライを充電する必要があります。
4. お使いのデバイスは本製品に似合うかを確認してください。デバイスは本製品の各輸出ポートの電力容量の最高値以内であることを確保してください。もし、下記トラブルシューティングでやってみても不具合が存在する場合、当社までご連絡ください。

不具合コード	不具合原因	トラブルシューティング
E01	システムの高温防止	周辺の温度が45℃以上になったかチェックする。 本製品の温度が下がると、アウトプットは再びスタートする
E02	バッテリー過電圧防止	充電器の接続を遮断し、再起動する
E03	バッテリーダメージ保護	US に連絡する
E04	1番目のバッテリーケーブル過電圧	充電器の接続を遮断し、再起動する
E05	2番目のバッテリーケーブル過電圧	充電器の接続を遮断し、再起動する
E06	3番目のバッテリーケーブル過電圧	充電器の接続を遮断し、再起動する
E07	1番目のバッテリーケーブル低電圧	タイムリーに充電し、フル充電後、再起動する
E08	2番目のバッテリーケーブル低電圧	タイムリーに充電し、フル充電後、再起動する
E09	3番目のバッテリーケーブル低電圧	タイムリーに充電し、フル充電後、再起動する

E10	低温放電保護	周辺の温度が-20℃以下になっていないかチェックしてください
E11	バッテリー低電圧保護	タイムリーに充電し、フル充電後、再起動する
E12	インパター過電流防止	ACアウトプットが過負荷していないか短絡していないかチェックする
E13	インパター過負荷防止	ACアウトプットが過負荷していないか確認する
E14	インパター短絡防止	ACアウトプットが過負荷していないか短絡していないか確認する
E16	過電圧防止 インパター	入力電圧が最大値を超えていないか確認する
E17	低温充電防止	環境温度が0℃以下になっていないか確認する
E19	12Vシガーライターソケット過電流防止	アウトプットポートが過負荷か短絡になっていないか確認する
E20	12Vシガーライターソケット過負荷防止	アウトプットポートが過負荷していないか確認する
E21	12VDC アウトプット 過電流防止	アウトプットポートが過負荷か短絡になっていないか確認する
E22	12VDC アウトプット 過負荷防止	アウトプットポートが過負荷か短絡になっていないか確認する
E23	USB アウトプット 過電流防止	アウトプットポートが過負荷か短絡になっていないか確認する
E24	USB アウトプット 過電流防止	アウトプットポートが過負荷か短絡になっていないか確認する

保証

当社は、購入日から 12 ヶ月の保証をお客様に提供します。

お問い合わせ

当社の製品に関するお問い合わせやご意見は、sale@bluetti.com まで電子メールでお送りください。できるだけ早く対応いたします。