

Bonsenkitchen

Coffee Maker Operation Instructions Model: CM8001



www.bonsenkitchen.com

Contents

IMPORTANT SAFEGUARDS	1-2
PACKAGE CONTENTS	3
KNOW YOUR COFFEE MAKER	3
TECHNICAL DETAILS	4
BEFORE USING COFFEE MAKER	4
PRE-HEATING	5
MAKE ESPRESSO COFFEE	5-6
FROTHING MILK/MAKE CAPPUCINO	6-7
PRODUCING STEAM TO HEAT LIQUIDS	7-8
AUTOMATICALLY STOP FUNCTION	8
CLEANING AND MAINTENANCE	8
REMOVAL OF MINERAL DEPOSITS	9
TROUBLE SHOOTING	10
WARRANTY CLAIM PROCEDURE	11
ENVIRONMENT FRIENDLY DISPOSAL	11

IMPORTANT SAFEGUARDS

Before using the electrical appliance, the following basic precautions should always be followed including the following:

1. Read all the instructions.
2. Before using check that the voltage of wall outlet corresponds to rated voltage marked on the rating plate.
3. This appliance has been incorporated with a grounded plug. Please ensure the wall outlet in your house is well earthed.
4. To protect against fire, electric shock and injury to persons do not immerse cord, plug, in water or other liquid.
5. Remove plug from the wall outlet before cleaning and when not in use. Allow appliance cool down completely before taking off, attaching components or before cleaning.
6. Do not operate any appliance with a damaged cord or plug or after the appliance malfunctions, or is dropped or damaged in any manner. Return appliance to the nearest authorized service facility for examination, repair or electrical or mechanical adjustment.
7. The use of accessory attachments not recommended by the appliance manufacturer may result in fire, electric shock or injury to persons.
8. Place appliance on flat surface or table, do not hang power cord over the edge of the table or counter.
9. Ensure the power cord does not touch hot surface of the appliance.
10. Do not place the coffee maker on the hot surface or beside fire to avoid to be damaged.
11. To disconnect, turn any control to “off,” then remove the plug from the wall outlet. Always hold the plug. But never pull the cord.
12. Do not use the appliance for other than intended use and place it in a dry environment.
13. Close supervision is necessary when your appliance is being used by or near children.
14. Be careful not to get burned by the steam.

15. Do not touch the hot surface of the appliance (such as a steam wand, and the steel mesh just boiling). Use handle or knobs.
16. Do not let the coffee maker operate without water.
17. Scalding may occur if the water tank is removed during the brewing cycles.
18. Do not remove the metal funnel when an appliance in brewing coffee or when steam and hot water escape from metal funnel and ensure to release the pressure in the water tank before removing the metal funnel.
19. Connect the plug to the wall outlet before using and turn any switch off before the plug is removed from the wall outlet.
20. Relief pressure through the steam wand before removing tank cover or metal funnel.
21. This appliance is not intended for used by persons (including children) with reduced physical, sensory or mental capabilities, or lack of experience and knowledge, unless they have been given supervision or instruction concerning use of the appliances by a person responsible for their safety.
22. Children should be supervised to ensure that they do not play with the appliance.
23. This appliance is intended to be used in household and similar applications such as:
 - staff kitchen areas in shops, offices and other working environments;
 - farmhouses;
 - bed and breakfast type environments.
24. Do not use outdoors.
25. Do not place on or near a hot gas or electric burner, or in a heated oven.
26. **SAVE THESE INSTRUCTIONS.**

PACKAGE CONTENTS

1 Coffee maker

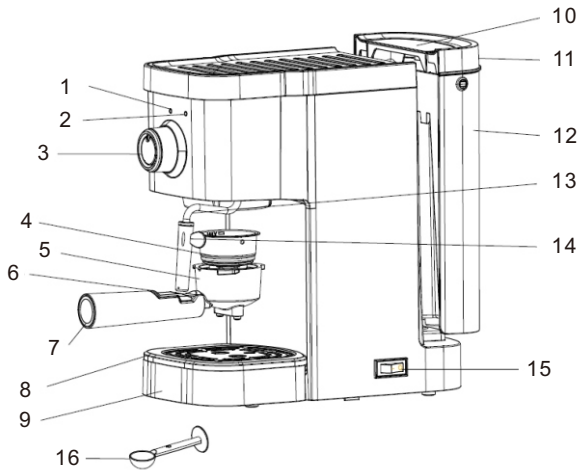
1 Measuring spoon

1 Operating Instructions

Check the delivery contents for completeness immediately after unpacking.

Remove all packaging materials and plastic film from the appliance.

KNOW YOUR COFFEE MAKER



1. Power indicator

2. Ready indicator

3. Coffee/steam knob

4. Steel mesh

5. Metal funnel

6. Press bar

7. Funnel handle

8. Drip plate

9. Drip tray

10. Tank cover

11. Handle

12. Water tank

13. Steam wand

14. Plastic sleeve

15. ON/OFF switch

16. Measuring spoon

TECHNICAL DETAILS

120V~ 60Hz 1350W

BEFORE USING COFFEE MAKER

To ensure the first cup of coffee tastes excellent, you should rinse the coffee maker with warm water as follows:

1. Pour water into the water tank, the water level should not exceed the “MAX” mark in the tank. Then close the water tank cover.

NOTE: The appliance is supplied with a detachable tank for easy cleaning, you can fill the tank with water firstly, and then put the tank into the appliance.

2. Set steel mesh into the metal funnel (no coffee in steel mesh).
3. Place an espresso cup (your cup) on drip plate. Make sure the coffee/steam knob is on the “●” position.

NOTE: The appliance is not equipped with a jug, please use your jug or coffee cup.

4. Connect to power source, press the ON/OFF switch. The red indicator will be flashing.
5. The appliance begins to be pre-heated until the red indicator becomes solid, it shows the pre-heating is finished. Turning the coffee/steam knob to the “☞” position, and water will flow out.
6. After about 30s, turn the coffee/steam knob to the “●” position to stop brewing, you can pour the water in a container out then clean them thoroughly, now you can start brewing.

NOTE: There may be noise when pumping the water for the first time, it is normal, the appliance is releasing the air in the appliance. After about 20s, the noise will disappear.

PRE-HEATING

To make a cup of good hot Espresso coffee, we recommend you preheat the appliance before making coffee, including the funnel, steel mesh and cup, so that the coffee flavour can not be influenced by the cold parts.

1. Remove the detachable tank and open the tank cover to fill it with desired water, the water level should not exceed the “MAX” mark in the tank. Then place the tank into the appliance properly.
2. Set steel mesh into the metal funnel, make sure the tube on the funnel aligns with the groove in the appliance, then insert the funnel into the appliance from the “INSERT” position, and you can fix them into coffee maker firmly through turn it anticlockwise until it is at the “LOCK” position.
3. Place an espresso cup (your cup) on a removable drip plate.
4. Then connect the appliance to power supply source. Make sure the coffee/steam knob is on the “●” position.
5. Press the ON/OFF switch, the red indicator will be flashing.
6. When the red indicator becomes solid, you should turn the coffee/steam knob to the “☞” position, there will be hot water flowing out. After about 30s, close the coffee/steam knob by turning the coffee/steam knob again to the “●” position. The pre-heating is finished.

MAKE ESPRESSO COFFEE

1. Remove the funnel by turning it in clockwise, add ground coffee to steel mesh with a coffee spoon, a spoon ground coffee power can make about a cup of top-grade coffee, then press the ground coffee powder tightly with the coffee spoon.
2. Set steel mesh into the metal funnel, make sure the tube on the funnel aligns with a groove in the appliance, then insert the funnel into the appliance as indicating of “INSERT” mark, and you can fix them into coffee maker firmly through turning it anticlockwise until it is at the “LOCK” position.
3. Pour out the hot water in the cup. Then place the hot cup (yourself cup) on drip plate.

4. At the time, the red indicator becomes solid, you should turn the knob to the “☐” position, waiting for a moment, there will be coffee flowing out. During making coffee, the white indicator will be illuminated.

Note: During continuous operations, the ready indicator is likely to extinguish due to the inadequate temperature of the water in the boiler, but it does not mean the unit will stop operating, you may continue to make coffee regardless of it.

5. You should turn the knob to the “●” position manually when desired coffee (about 60ml of two cups) is obtained or the color of coffee changes weak obviously, your coffee is ready now.

WARNING: Do not leave the coffee maker unattended during making the coffee, as you need to operate manually sometimes!

6. After finishing making the coffee, you can take the metal funnel out through turn clockwise, then pour the coffee residue out with the steel mesh pressed by press bar.

7. Press the power switch to cut off the power source.

8. Let them cool down completely, then rinse under running water.

FROTHING MILK/ MAKE CAPPUCCINO

You get a cup of cappuccino when you top up a cup of espresso with frothing milk.

Note: during making steam, the metal funnel must be assembled in position.

Method:

1. Prepare espresso first with a container big enough according to the part “MAKE ESPRESSO COFFEE”.

2. Turn the coffee/steam knob to the “●” position, waiting for until the red indicator becomes solid.

3. Fill a jug with about 100 grams of milk for each cappuccino to be prepared, you are recommended to use whole milk at refrigerator temperature (not hot!).

NOTE: In choosing the size of the jug, it is recommended the diameter is not less than 70±5mm, and bear in mind that the milk increases in volume by 2 times, make sure the height of the jug is enough.

4. Insert the plastic sleeve into the milk about two centimeter, then turn the coffee/steam knob to the “☺” position, steam will come out from the steam outlet. Froth milk in the way moving vessel round from up to down. During making steam, the white indicator will be illuminated.

Warning: Be sure to operate carefully as the steam may result in scald to person.

5. When the required purpose is reached, you can turn the coffee/steam knob to the “●” position.

Note: Clean steam outlet with a wet sponge immediately after steam stops generating, but care not to hurt!

6. Pour the frothed milk into the espresso prepared, now the cappuccino is ready. Sweeten to taste and if desired, sprinkle the froth with a little cocoa powder.

7. Press the power switch to cut off the power source.

Note: If you want to make coffee again after frothing milk. You should turn the knob to the “☺” position and place a cup on a drip plate, the pump will pump water for one cup, then turn the knob to the “●” position, you can brew coffee again.

PRODUCING STEAM TO HEAT LIQUIDS

The steam wand can be used to froth milk singly or make hot beverages like drinking chocolate and water.

Method:

1. Remove the detachable tank and fill it with desired water, the water level should not exceed the “MAX” mark in the tank. Then place the tank into the appliance properly.

2. Then connect the appliance to power supply source.
3. Press down the ON/OFF switch, the red indicator will flashing.
4. Turning the coffee/steam knob to the “●” position, When the red indicator becomes solid, it shows the heating is finish.
5. Dip the steam wand with a plastic sleeve into the liquid to be heated or the intended froth milk. Turn the coffee/steam knob to the “☞” position and start making steam.
6. When the required temperature is reached or the frothing milk is obtained, you can turn the coffee/steam knob to the “●” position.
7. Press the ON/OFF switch to cut off the power source.

AUTOMATICALLY STOP FUNCTION

1. After pressing the power switch, if there is no operation within 25 minutes, the unit will power off automatically.
2. After pressing the power switch, if there is no operation after the pump worked for the 90s during brewing coffee, the pump will stop working automatically.
3. After pressing the power switch, if there is no operation after the pump worked for 180s during froth milk, the pump will stop working automatically.

CLEAN AND MAINTENANCE

1. Cut off power source and let the coffee maker cool down completely before cleaning.
2. Clean housing of coffee maker with moisture-proof sponge often , and clean water tank, drip tray and drip plate regularly then dry them.

Note: Do not clean with alcohol or solvent cleaner. Never immerse the housing in water for cleaning.

3. Detach the metal funnel by turning it clockwise, get rid of coffee residue inside, then you can clean it with cleanser, but at last, you must rinse with clear water.
4. Clean all the attachments in the water and dry thoroughly.

CLEANING MINERAL DEPOSITS

1. To make sure your coffee maker operating efficiently, internal piping is cleanly and the peak flavor of coffee, the coffee machine needs to be descaled, cleaned and maintained periodically. The red indicator and white indicator will blink alternately when the coffee machine has performed the coffee-brewing or milk-frothing function for 150 cycles, which means that the coffee machine needs to be performed cleaning.
2. Fill the tank with water and descaler to the MAX level (the scale of water and descaler is 4:1, the detail refers to the instruction of descaler. Please use “household descaler”, you can use the citric acid (obtainable from chemist’s or drug stores) instead of the descaler (the one hundred parts of water and three parts of citric acid).
3. Turn the knob to “☞” setting, the pump starts to pump water and it will stop running after pumping for about 90 seconds, then turn the knob to “●” setting, leave the descaler in the appliance for at least 5 minutes.
4. Fill the water tank with water and descaler to the MAX level.
5. Turn the knob to “☞” setting, the pump starts to pump water and it will stop running after pumping for about 90 seconds, then turn the knob to “●” setting.
6. Then brew coffee (no coffee powder) with tap water in the MAX level, repeat the steps of 2-5 for 2 times (it is not necessary to wait for 5 minutes in the step of 3).
7. After finish, the above operation, the red indicator and white indicator will not blink alternately, and the cleaning is finished.
If do not want to perform cleaning when the cleaning warning appears, quickly turn the knob to “☞”, then turn the knob to “●”, and then turn the knob to “☞” setting and turn the knob to “●” setting again, which shall be finished within 3 seconds, then the cleaning warning can be canceled.

TROUBLE SHOOTING

SYMPTOM	CAUSE	CORRECTIONS
Water leaks from the bottom of coffee maker.	There is much water in the drip tray.	Please clean the drip tray.
	The coffee maker is malfunction.	Please contact with the authorized service facility for repairing.
Water leaks out of outer side of filter.	There is some coffee powder on filter edge.	Get rid of them.
Acid (vinegar) taste exists in Espresso coffee.	No clean correctly after cleaning mineral deposits.	Clean coffee maker per the content in “before the first use” for several times.
	The coffee powder is stored in a hot, wet place for a long time. The coffee powder turns bad.	Please use fresh coffee powder, or store unused coffee powder in a cool, dry place. After opening a package of coffee powder, reseal it tightly and store it in a refrigerator to maintain its freshness.
The coffee maker cannot work any more.	The power outlet is not plugged well.	Plug the power cord into a wall outlet correctly, if the appliance still does not work, please contact with the authorized service facility for repairing.
The steam cannot froth.	The white indicator is not illuminated.	Only after the white indicator is illuminated, the steam can be used to froth.
	The container is too big or the shape is not fit.	Use high and narrow cup.
	You have used skimmed milk.	Use whole milk or half-skimmed milk.

Do not take apart the appliance by yourself if the cause of failure is not found, you had better contact certified serving center.

WARRANTY CLAIM PROCEDURE

To ensure quick processing of your case, please observe the following instructions: Please have the till receipt and the item number (S/N: 12345) available as proof of purchase.

You will find the item number as a sticker on the rear or bottom of the appliance. If malfunctions or other defects occur, please contact our customer service listed either by telephone or by email.

If you request any further assistance, please contact us:

Customer service: **1-888-965-8032**

support@bonsenkitchen.com

ENVIRONMENT FRIENDLY DISPOSAL

This product must not be disposed together with the domestic waste. This product has to be disposed at an authorized place for recycling of electrical and electronic appliances. By collecting and recycling waste, you help save natural resources, and make sure the product is disposed in an environmental friendly and health way.

Register your product at www.bonsenkitchen.com
to get more perks!



Follow us @bonsenkitchen

Bonsen Electronics Inc.

📍 : 5805C Peachtree Corners East
Norcross, GA, 30092

☎ : 1-888-965-8032

✉ : support@bonsenkitchen.com