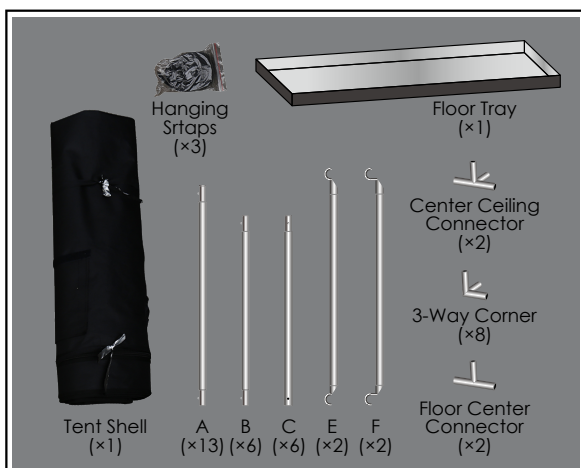
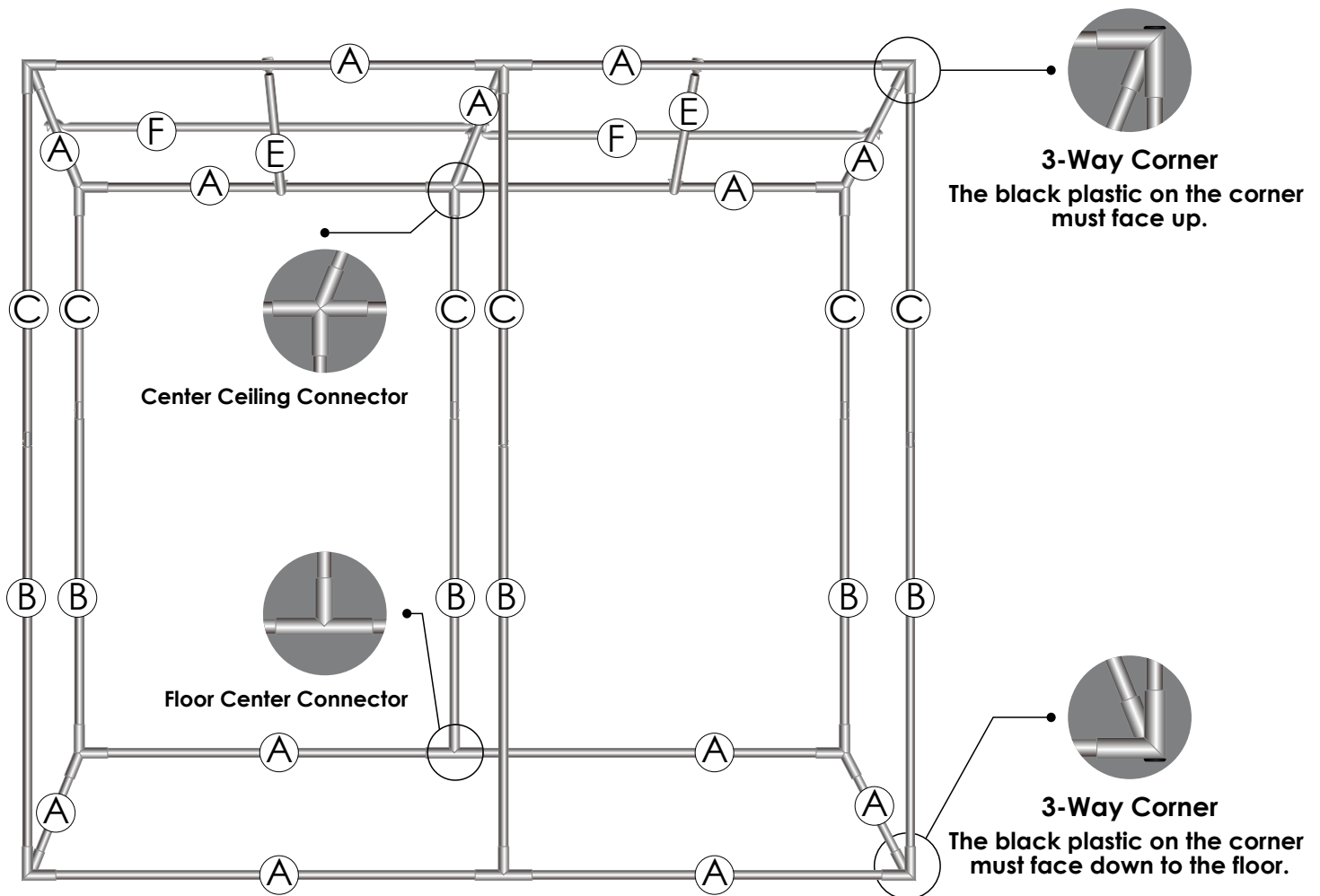


Dear users,

Thank you for choosing our VIPARSPECTRA Hydroponic Grow Tent. This is a high quality and safe product which is designed especially for horticulture industry. It will offer you ultimate control over your plants' environment, result in strong and healthy plants with increased yield. Please read this instruction carefully before using. If you need any assistance, please email us (support@viparspectra.com) as soon as possible.

Before you start

Open the box, lay all the components out on the floor to identify them, then check your components against the table of Package Included.

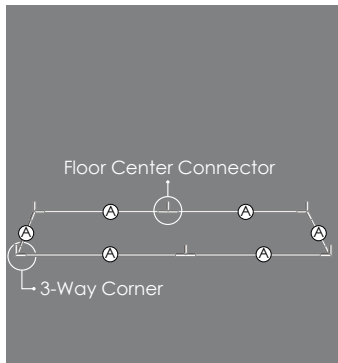


96"x48"x80" Grow Tent

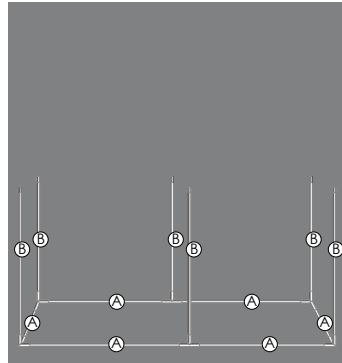
Package Included:

Tube-A	13	Center Ceiling Connector	2
Tube-B	6	Floor Center Connector	2
Tube-C	6	Tent Shell	1
Roof Bar-shallow-E	2	Hanging Straps	3
Roof Bar-deep-F	2	Floor Tray	1
3-Way Corner	8	Instruction Manual	1

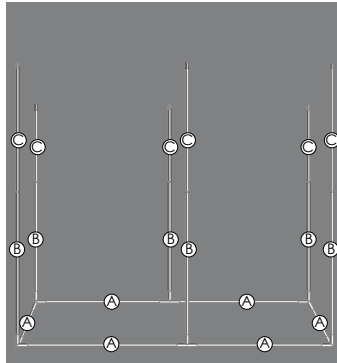
Assembly Instructions



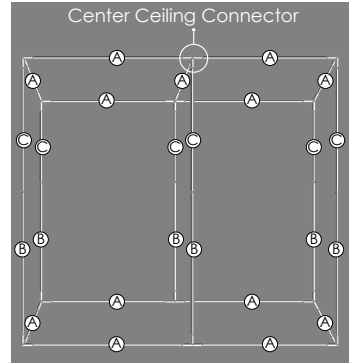
Step 1



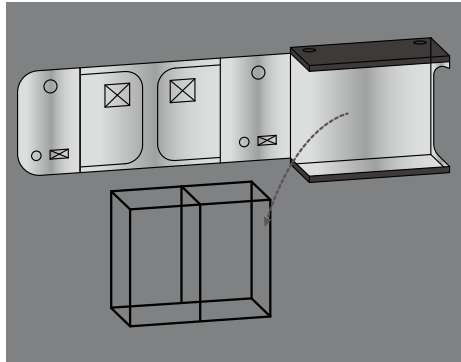
Step 2



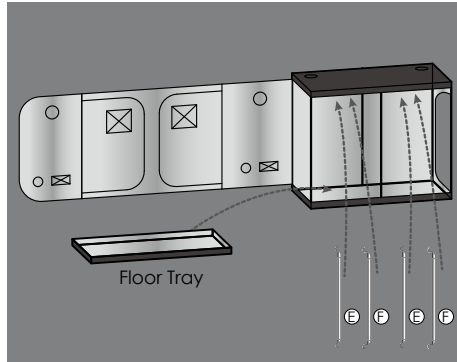
Step 3



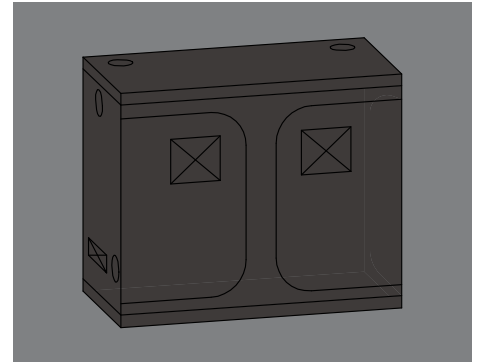
Step 4



Step 5



Step 6



Step 7

Step 1-4. Build the whole frame.

- NOTE:**
- Put all tubes' poles completely into corner connectors, lock them tightly by the spring button clips.
 - For floor frame, black plastic on the 3-way corners must face down to the floor; for upper frame, the black plastic on the 3-way corners must face up.

Step 5. Put on the tent shell

Unzip all zippers of the tent shell all the way.
First gently pull up the top of tent shell on the frame make sure all corners are squarely in place.
Then pull the bottom of tent shell to cover the base of tent frame properly.

Step 6. Install roof bars

Install roof bars E and F to the top of tent.

Step 7. Fit the Floor Tray

Spread out and locate the floor tray inside the bottom of the tent, then tie with the straps to stay in place.

Step 8. Zip up all zippers



Contact Us:

- (844)-504-3266(US) Mon-Fri 9:00am to 6:00pm (PDT).
- Sending an email to support@viparspectra.com.
- Contact us via Amazon or eBay message.
- www.viparspectra.com

Follow us on Facebook