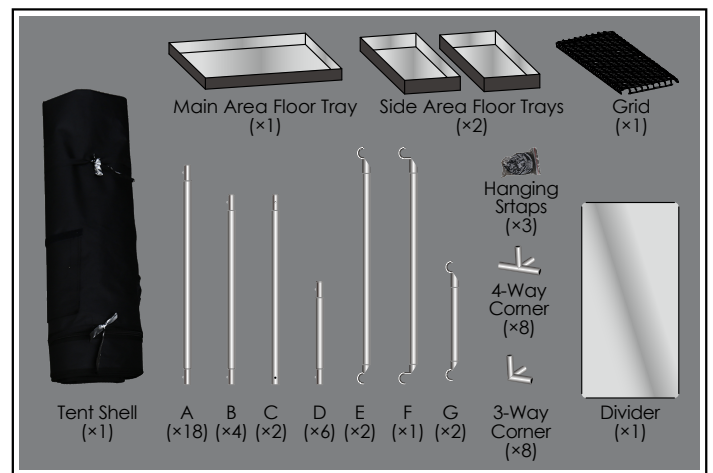
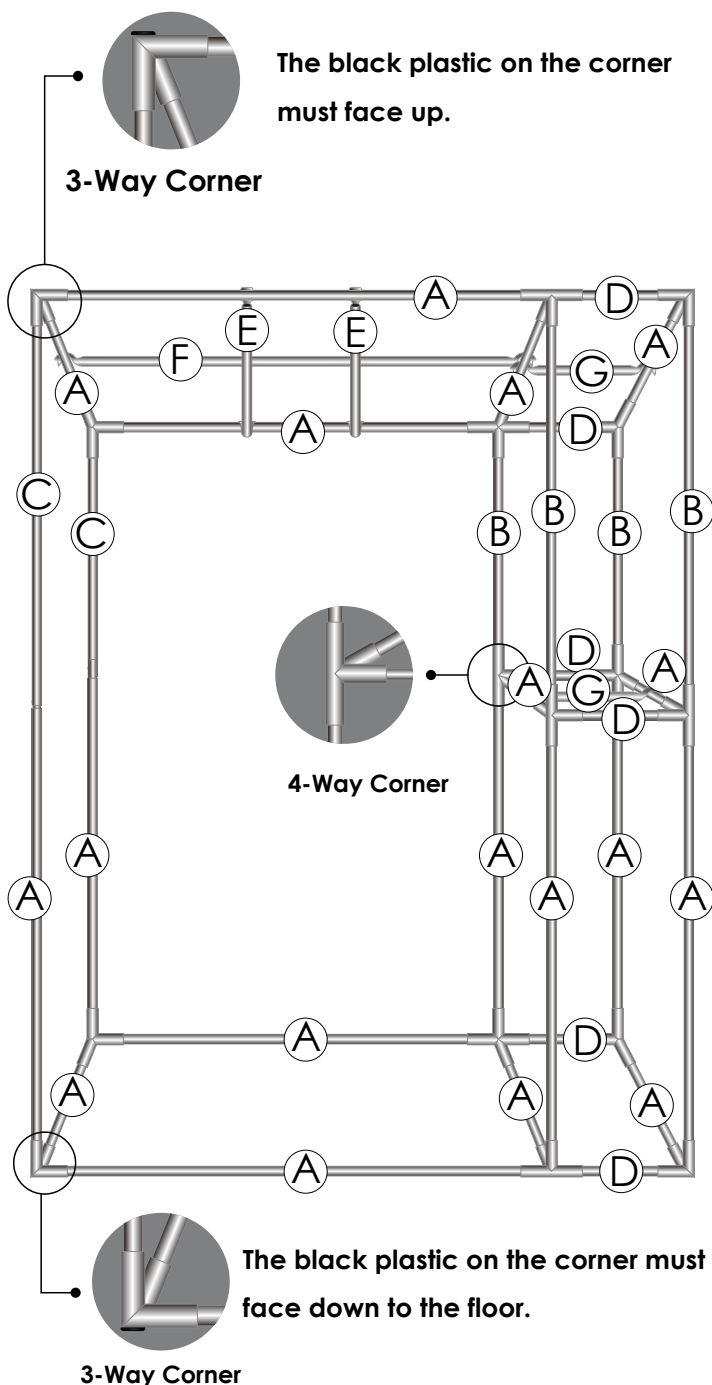


Dear users,

Thank you for choosing our VIPARSPECTRA Hydroponic Grow Tent. This is a high quality and safe product which is designed especially for horticulture industry. It will offer you ultimate control over your plants' environment, result in strong and healthy plants with increased yield. Please read this instruction carefully before using. If you need any assistance, please email us (support@viparspectra.com) as soon as possible.

### Before you start

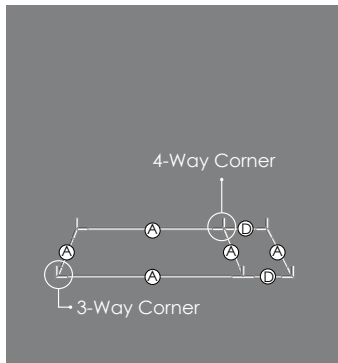
Open the box, lay all the components out on the floor to identify them, then check your components against the table of Package Included.



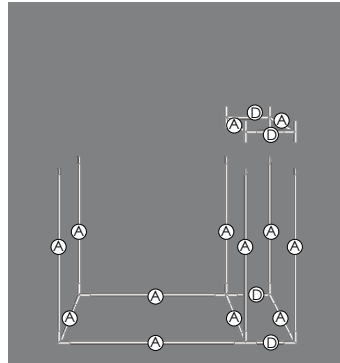
### 2-in-1 48"x36"x72" Grow Tent

Package Included:	
Tube-A	18
Tube-B	4
Tube-C	2
Tube-D	6
Roof Bar-shallow-E	2
Roof Bar-deep-F	1
Roof Bar-G	2
3-Way Corner	8
4-Way Corner	8
Tent Shell	1
Hanging Straps	3
Main Area Floor Tray	1
Side Area Floor Trays	2
Divider	1
Grid	1
Instruction Manual	1

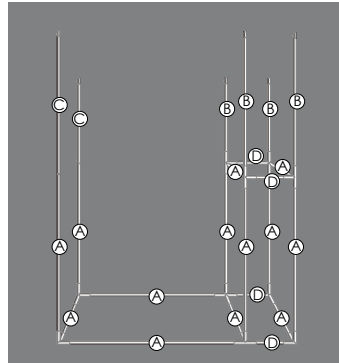
# Assembly Instructions



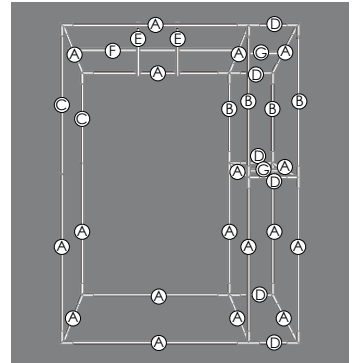
Step 1



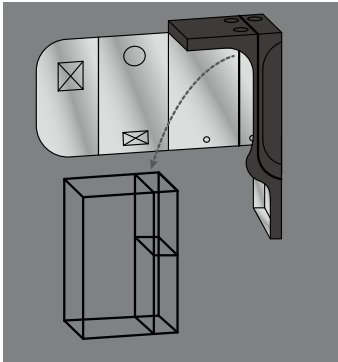
Step 2



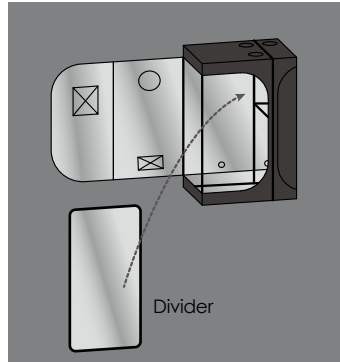
Step 3



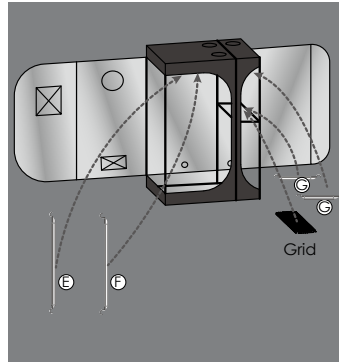
Step 4



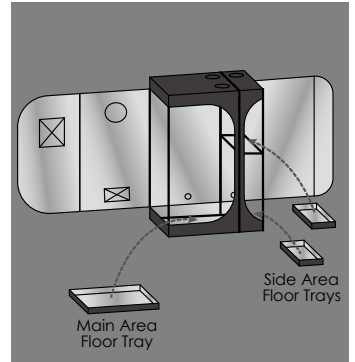
Step 5



Step 6



Step 7



Step 8

## Step 1-4. Build the whole frame.

### NOTE:

- Put all tubes' poles completely into corners, lock them tightly by the spring button clips.
- For floor frame, black plastic on the 3-way corners must face down to the floor; for upper frame, the black plastic on the 3-way corners must face up.

## Step 5. Put on the tent shell

Unzip all zippers of the tent shell all the way.

First gently pull up the top of tent shell on the frame make sure all corners are squarely in place.

Then pull the bottom of tent shell to cover the base of tent frame properly.

## Step 6. Put on the divider

Spread out and put on the divider by magic stickers

## Step 7. Install roof bars & grid

Install roof bars E and F to the top of main area. Install roof bars G to the top and the middle floor of side area.

Place grid to the middle floor of side area.

## Step 8. Fit the floor trays

Spread out and place the trays inside the bottom of main area and the first and middle floors of side area, then tie with the straps to stay in place.

## Step 9. Zip up all zippers



### Contact Us:

(844)-504-3266(US) Mon-Fri 9:00am to 6:00pm (PDT).

Sending an email to [support@viparspectra.com](mailto:support@viparspectra.com).

Contact us via Amazon or eBay message.

[www.viparspectra.com](http://www.viparspectra.com)

Follow us on Facebook