



S1 Smart Lock

Quick Start Guide

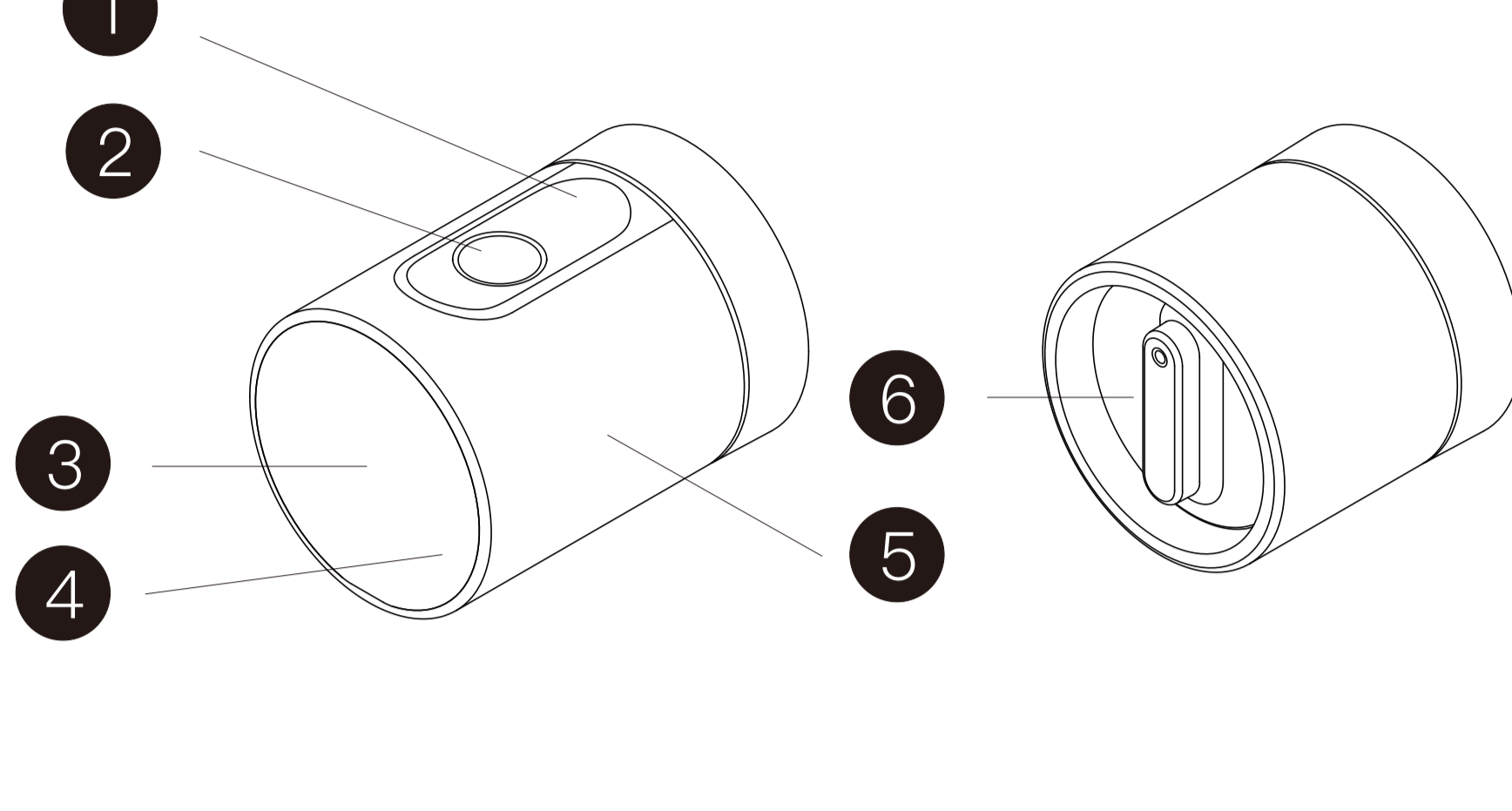
Please follow us on YouTube channel: YEEUU

or visit our website: YEEUU.com

or email to support@yeeuu.com

to get more info of operation manual.

Lock Show



Front Lever

Back Lever

1 Door Card Identification Area

2 Fingerprint Identification Area

3 Key Open Area

4 Password Area

5 Battery Compartment Area

6 Anti Lock Knob

Basic Parameters

Door Opening Method: fingerprint, card, password, APP, mechanical key

Storage Capacity: 100PCS of door cards + fingerprints + passwords

Working Voltage: 3 No.7 AAA alkaline dry batteries

Battery Life: Up to 1 year (unlock 10 times a day)

Working Temperature: -20°C ~ 70°C

Working Humidity: 40%RH ~ 80%RH

Fitting category A: single latch

Door Thickness: 30mm-80mm

Door Prep: 54mm diameter face hole & 25mm diameter latch hole

Daily Maintenance

• Installation environment: requires at least a canopy, do not keep the lock completely exposed in open air.

• Please do not scratch the fingerprint identification area with a sharp object.

• Please exchange both three batteries at the same time, do not use mixed new batteries with old ones.

• The mechanical key is a measure for emergency door opening, please keep at least 1 mechanical key in a safe place other than home(e.g. office, parents' house).

• Please adjust the door or door frame in time if it deforms, otherwise the latch will not enter the door frame hole position smoothly.

Instructions

Note: Please install 3 x No.7 AAA alkaline dry batteries before use.

Download APP:

Log in AppStore/GooglePlay to search "YEEUU" and download the APP.

Add device:

Register and log in "YEEUU" account; click "Add Device" or click symbol "+" at the upper right corner on "Home page"; select "Auto Scan" to start searching; after the device is searched, click "next" to connect the lock to be added.

Add/use fingerprint to open the door(Applicable fingerprint version):

Log in "YEEUU" APP; select the device and enter "Settings" page; click "Fingerprint Management" to enter the page; click "Add Fingerprint" at the upper right corner and put the finger on the fingerprint identification area for admission.

Add/use door card to open the door:

Log in "YEEUU" APP; select the device and enter "Settings" page; click "Door Card Management" to enter the page; click "Add Door Card" at the upper right corner and then put the door card on the card identification area for admission.

Add Password:

Log in "YEEUU" APP; Select the device and enter the "Settings" page; click "Password Management" to enter the page; click "Add Password" to set the password; Please note that the initial device password is "123456".

Use APP to open the door:

Log in "YEEUU" APP; select the page for the device to be entered, click the icon at the page center after your APP is connected with the lock; turn the handle to open the door when the green light flashes.

View records:

Log in "YEEUU" APP; select the page for the device to be entered; after your APP is connected with the lock, click

"Opening Record/Alarm" to enter the page to view opening/alarm records.

Unbind the door lock:

Unbind the door lock: [Delete Device] button shows up when a non-administrator user performs the above mentioned operations, click it and follow the prompt to unbind.

Low Voltage Alarm:

Yellow light flashes 2 times.

Operation Failed:

Red light flashes 2 times, buzzing 2 times.

Error Lock:

Red light flashes 5 times.

Frequently Asked Question

Opening door by mobile phone fails.

Check whether the batteries are loaded and working properly; Check the networking status of mobile phone and perform operation again; Remove the batteries and re-load.

Opening door by card fails.

Check whether the batteries are loaded and working properly; Confirm whether the card has been added; Remove the batteries and re-load.

Opening door by fingerprint fails.

Check whether the batteries are loaded and working properly; Confirm whether the fingerprint has been added; Remove the batteries and re-load; Ensure that the finger is dry.

Yellow light flashes when opening the door.

Low power, please replace 3 No.7 AAA alkaline dry batteries in time.

Red light flashes 5 times when opening the door.

Error in lock, please try to unlock the door by fingerprint/door card/password 1 minute later, or use the APP to unlock it.

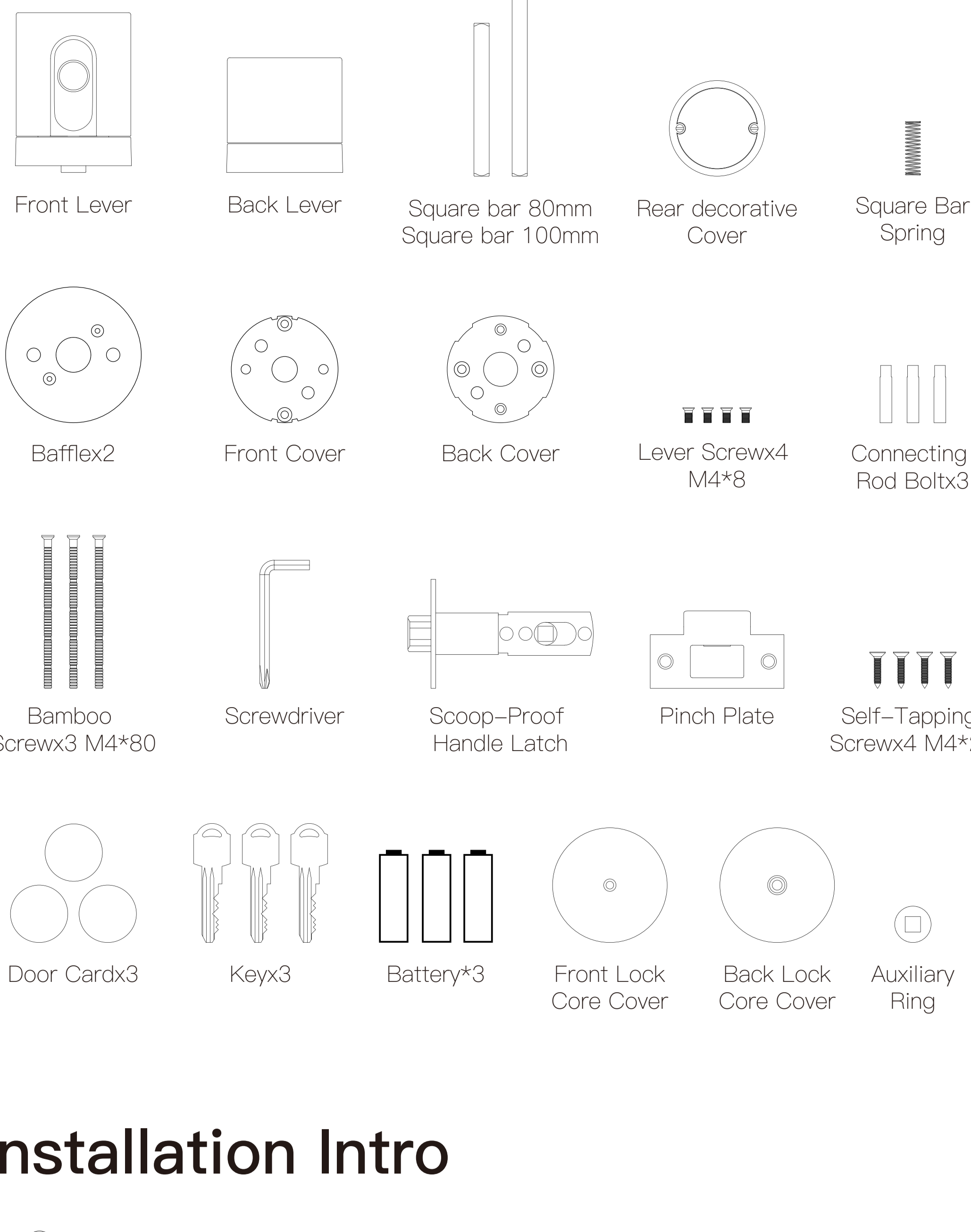
No response when opening the door.

Please check if the batteries are loose; If the batteries are dead, please replace the batteries.

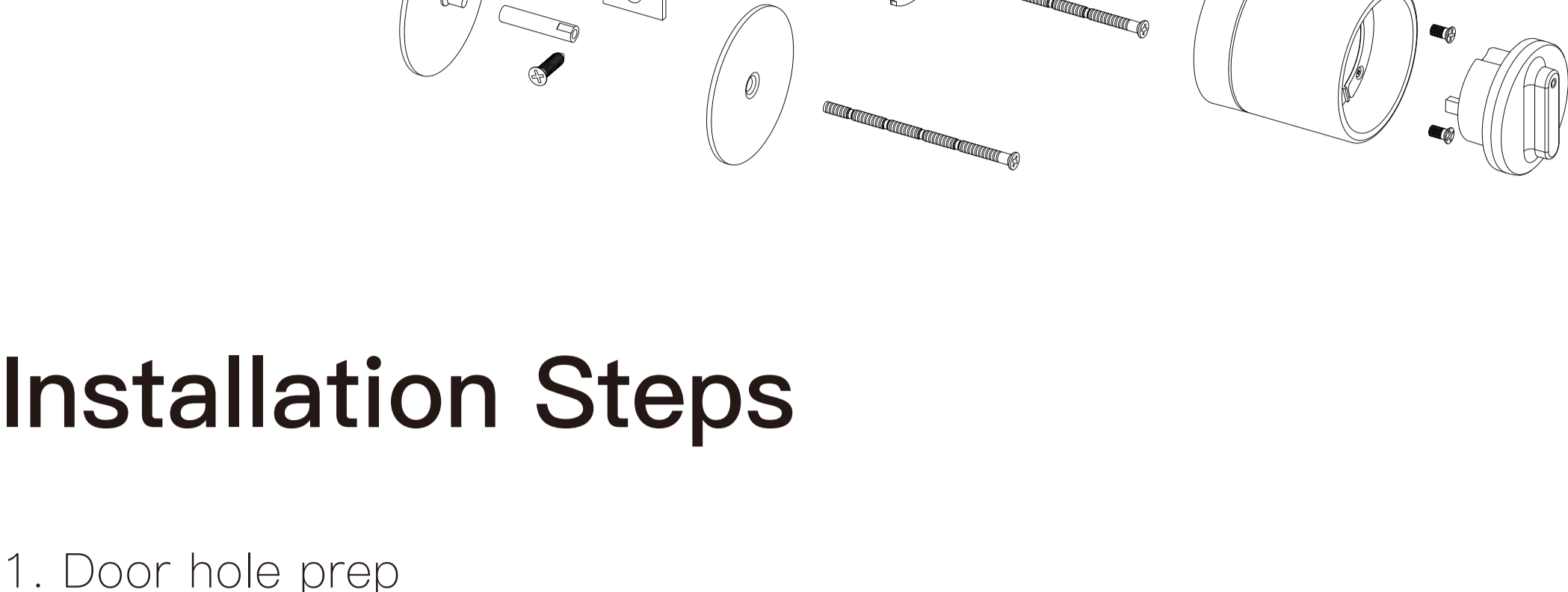
Login/registration cannot be performed normally.

Please check whether the network is running properly.

Product Accessories Diagram



Installation Intro

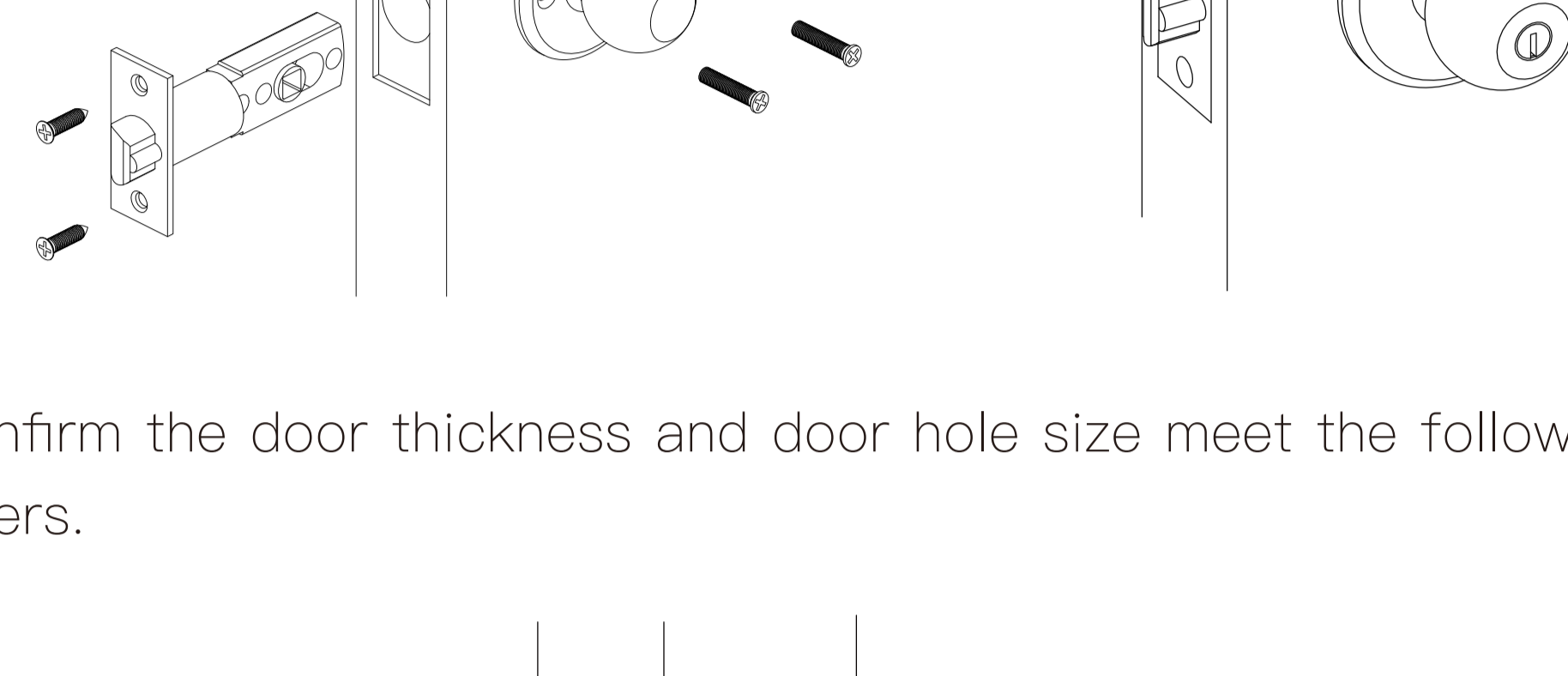


Installation Steps

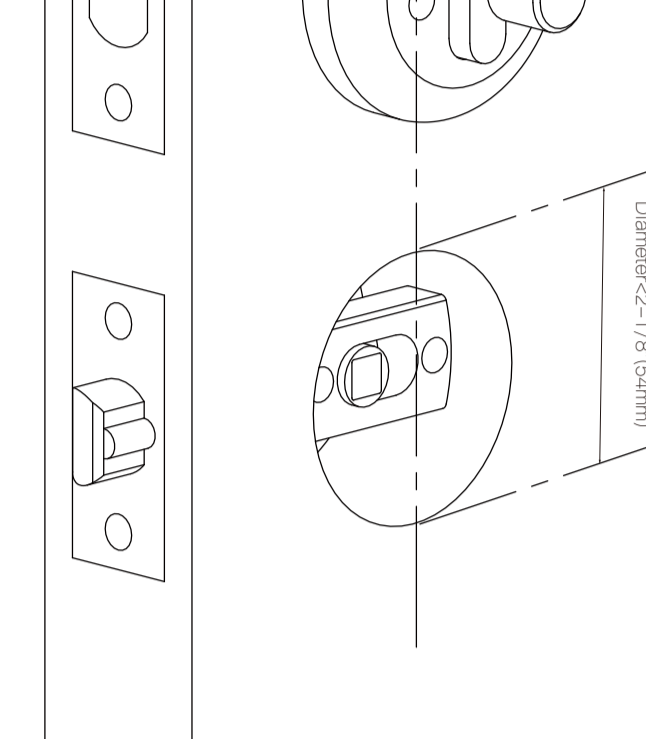
1. Door hole prep

1) After confirming that both the outside and inside of the door of the original lock are both upper and lower panels, remove the original latch bolt lock body.

PS: After the installation, the deadbolt in picture one has no further use, you can choose whether to use the front and rear decorative covers to cover or not.



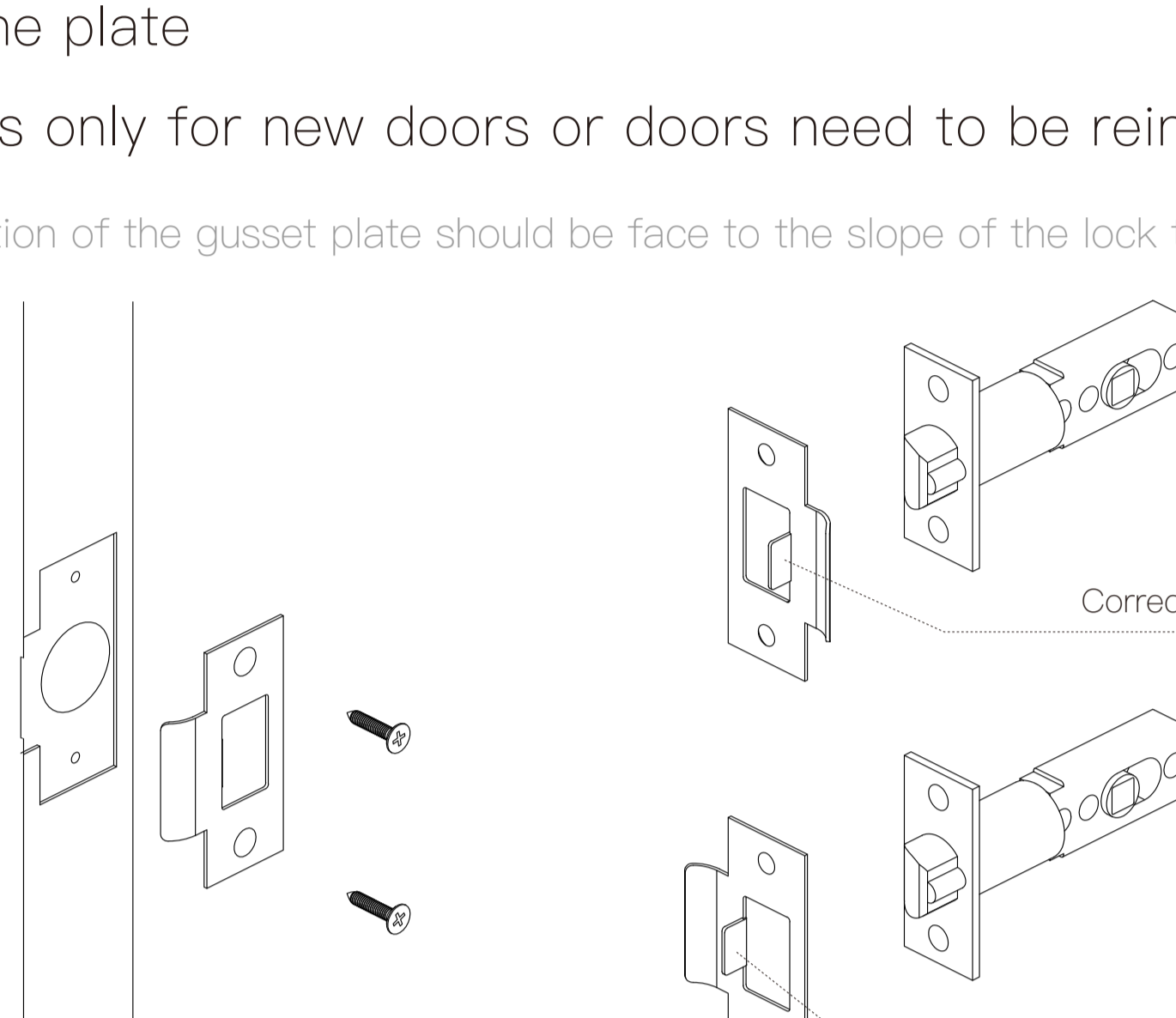
2) Confirm the door thickness and door hole size meet the following parameters.



2. Install the plate

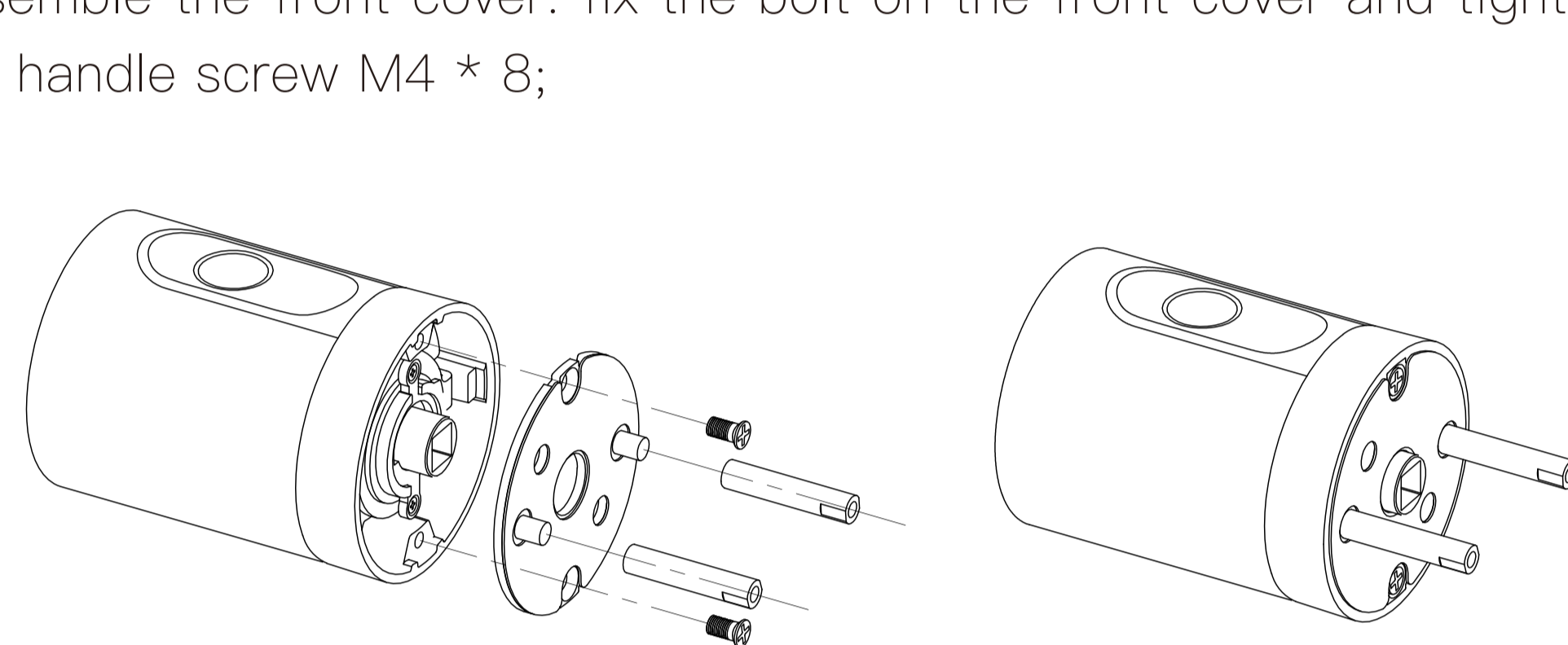
This step is only for new doors or doors need to be reinstalled.

(PS: The direction of the gusset plate should be face to the slope of the lock tongue.)

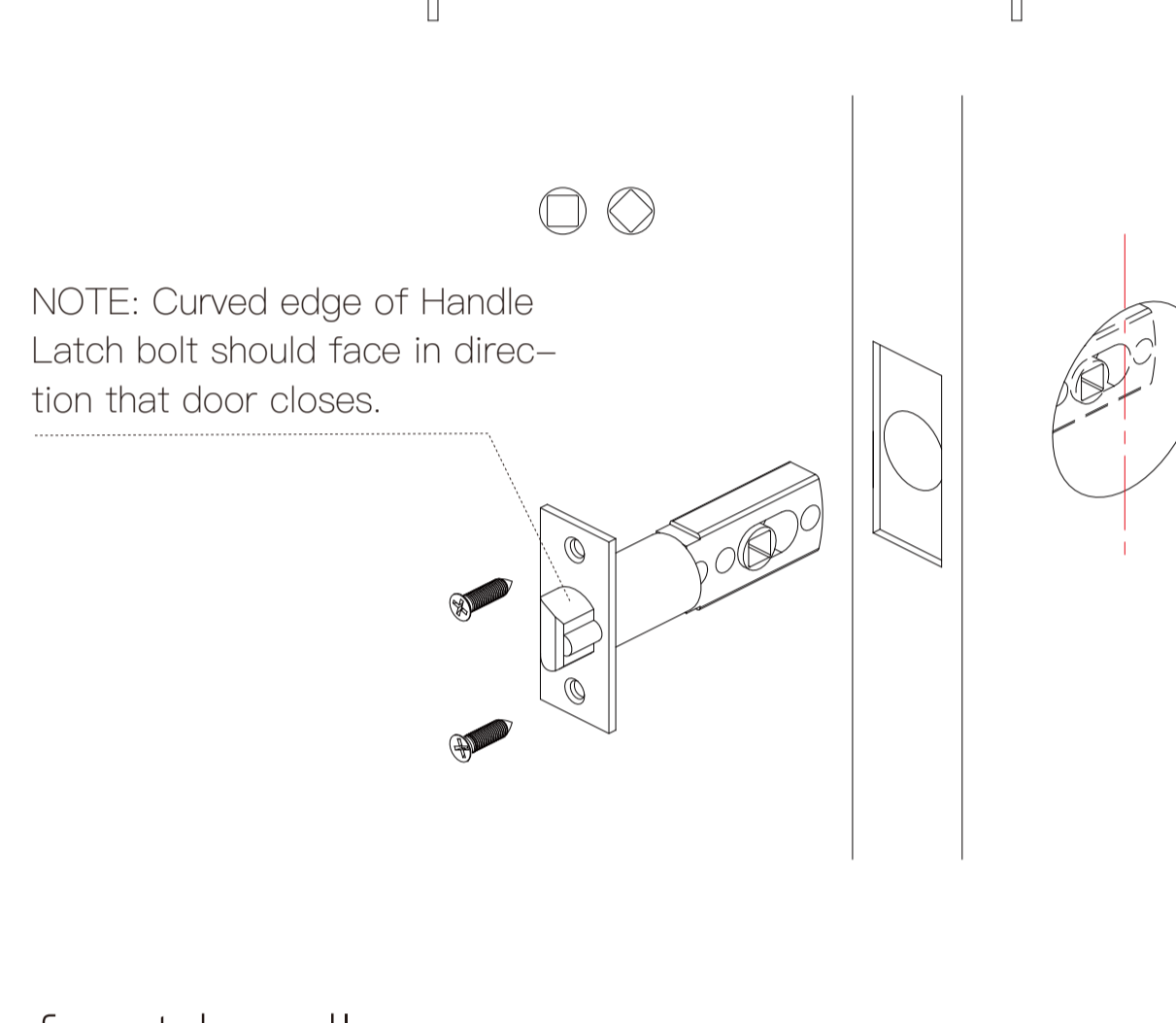
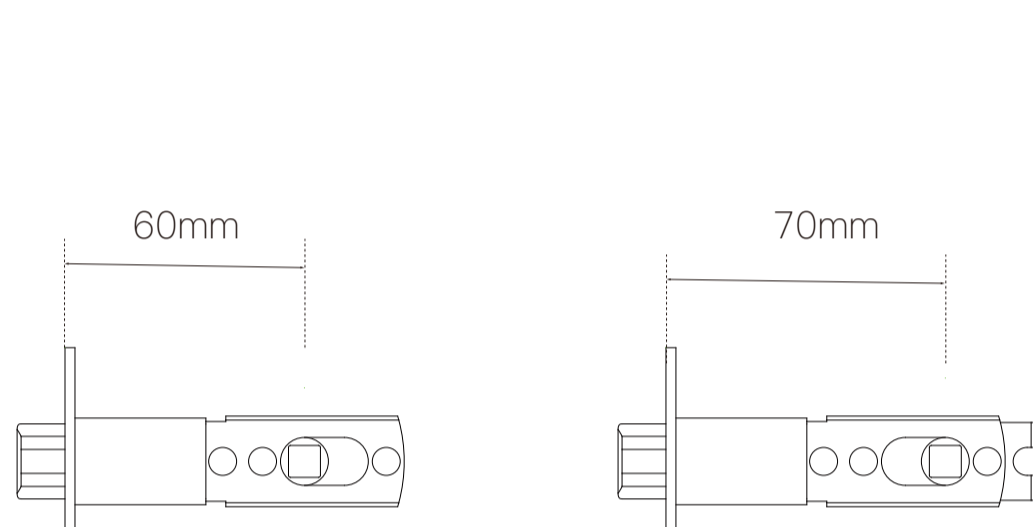


3. Install the front handle

Assemble the front cover: fix the bolt on the front cover and tighten with the handle screw M4 * 8;



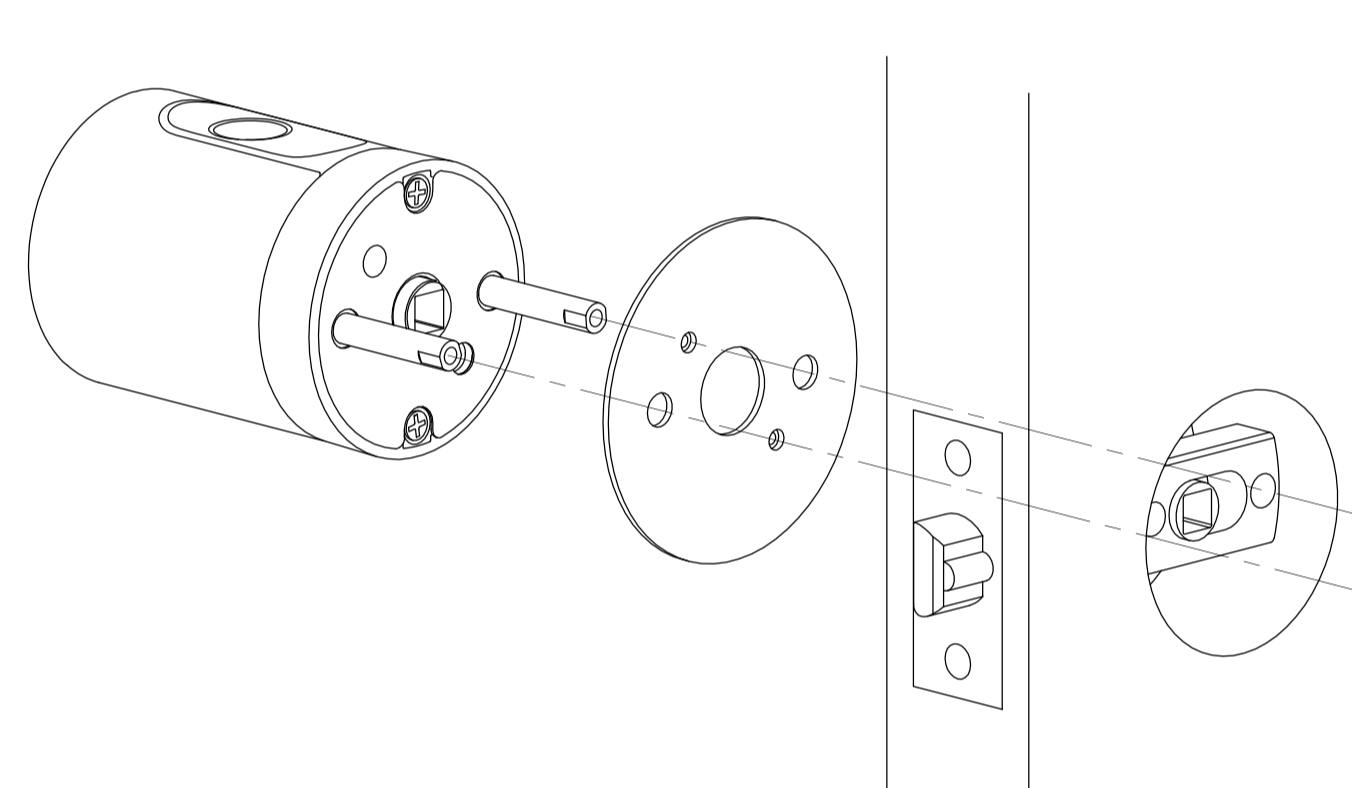
4. Install the lock body



5. Install the front handle

1) Align the screw of the front handle with the round hole on the lock body and install it on the door.

(Be aware that the fingerprint side is facing upwards, choose whether to use the front baffle according to the size of the door hole.)



2) Install the back baffle

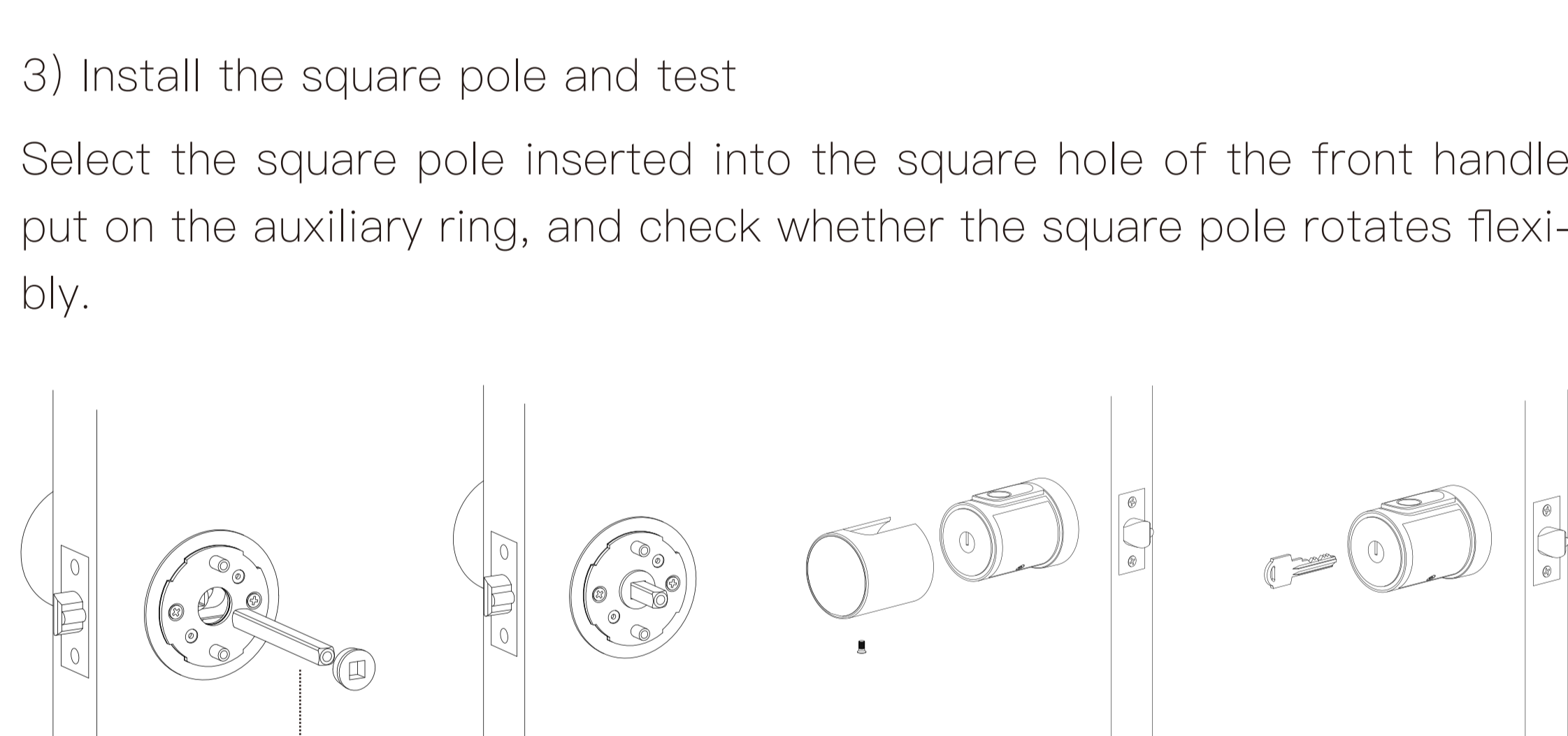
(Cut the bamboo screws according to the door thickness, be aware that the length of the screw should be less than 10mm of the door.)

according to the size of the door hole, choose whether to use the back baffle according to the size of the door, the bolt should be face outward.)



3) Install the square pole and test

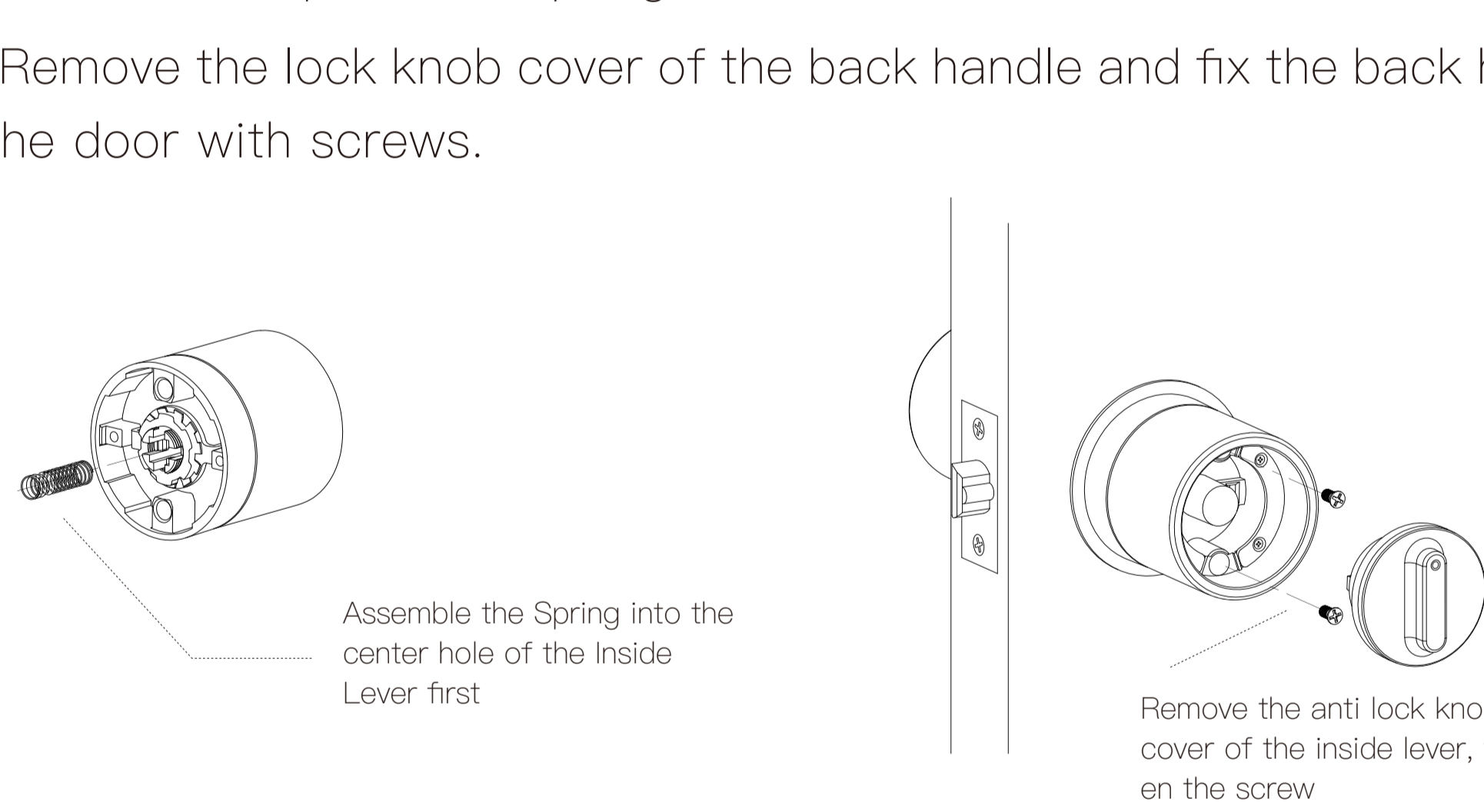
Select the square pole inserted into the square hole of the front handle, put on the auxiliary ring, and check whether the square pole rotates flexibly.



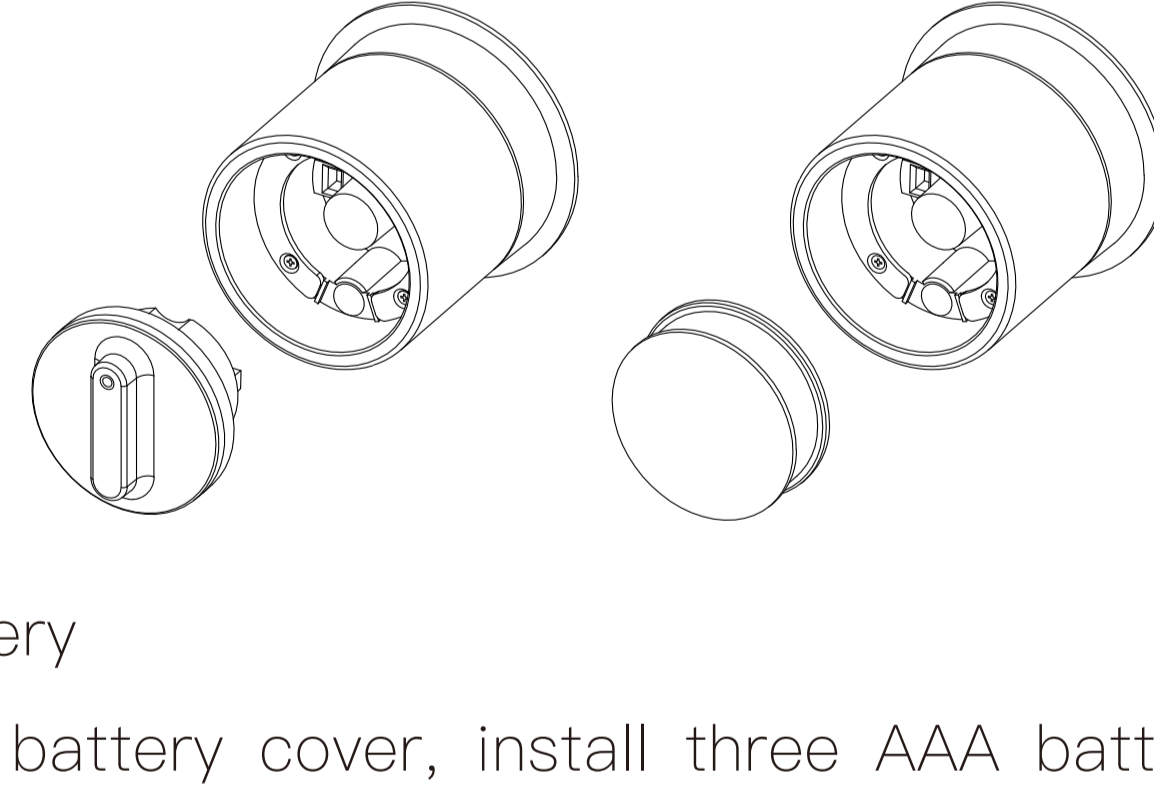
6. Back handle installation

1) Install the square rod spring into the center hole of the back handle.

2) Remove the lock knob cover of the back handle and fix the back handle to the door with screws.



3) Select the lock knob cover or back decoration cover for installation according to the requirements.



7. Install the battery

1) Remove the battery cover, install three AAA batteries, tighten the screws after installing the battery cover.

2) Install the cover.



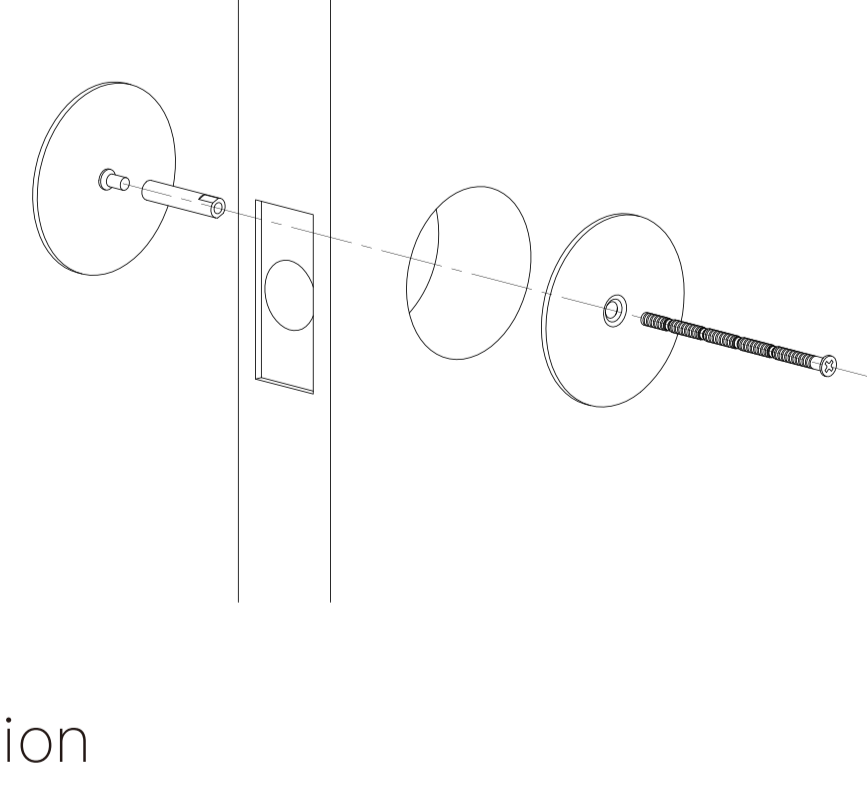
8. Install the front and back decorative cover

PS: Based on your needs.

1) Assembling the front decorative cover

2) Cut the bamboo screws according to the door thickness, be aware that the length of the screw should be less than 10mm of the door.

3) Assembling the back decorative cover.



9. Testing Operation

Remove the cover, insert the key and turn 90 degrees, then try the front and back handle in turn, and check the movement of the lock tongue.

If the operation is not smooth, please check again all installation steps.



Congratulations, you have successfully installed the Yeeuu Smart Lock!



YEEUU S1 Smart Lock

Hangzhou Ujia Technology Co., Ltd.

Made in China



Download APP

1. Open Google play or App Store.
2. Download and install "YEEUU" App.

