

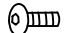
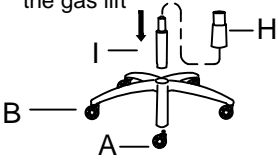
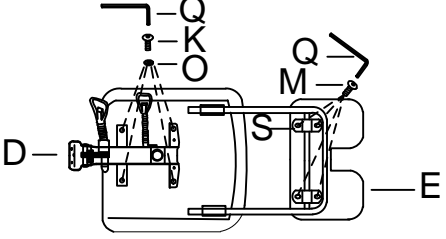
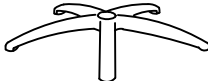

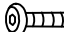

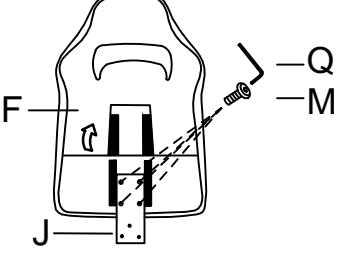


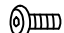
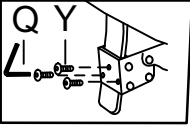
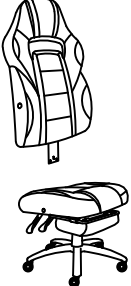
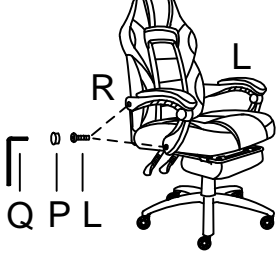
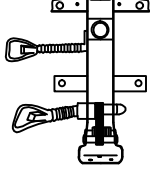




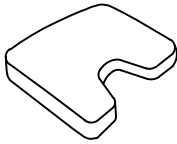
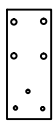

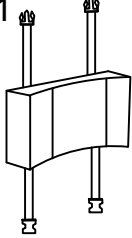



# ASSEMBLY INSTRUCTIONS

<p>Ax5</p> 	<p>Fx1</p> 	<p>Kx4</p>  <p>M6x20mm</p>	<p>① attach the casters to the base install the gas lift into the center hole of the base put the plastic cover onto the gas lift</p> 	<p>② install the mechanism to the bottom of the seat install the footrest to the frame</p> 		
<p>Bx1</p> 	<p>Gx1</p> 	<p>Lx4</p>  <p>M8x40mm</p>			<p>③ install the seat to the gas lift</p> 	<p>④ attach the back bar to the back</p> 
<p>Cx1Lx1R</p> 	<p>Hx1</p> 	<p>Mx8</p>  <p>M6x25mm</p>	<p>⑤</p>  	<p>⑥ install the armrests to the chair</p> 		
<p>Dx1</p> 	<p>Ix1</p> 	<p>Yx3</p>  <p>M8x20mm</p>			<p>⑦</p> 	<p>⑧</p> 
<p>Ex1</p> 	<p>Jx1</p> 	<p>Sx2</p> 	<p>Nx1</p> 	<p>Ox4</p> 		

P/N:G1001012B01/02/04/05

