
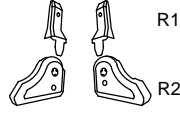
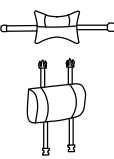

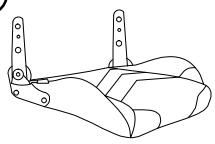

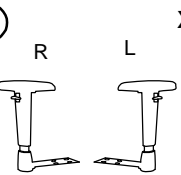


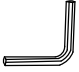
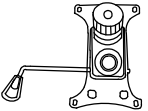

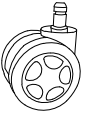
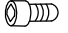
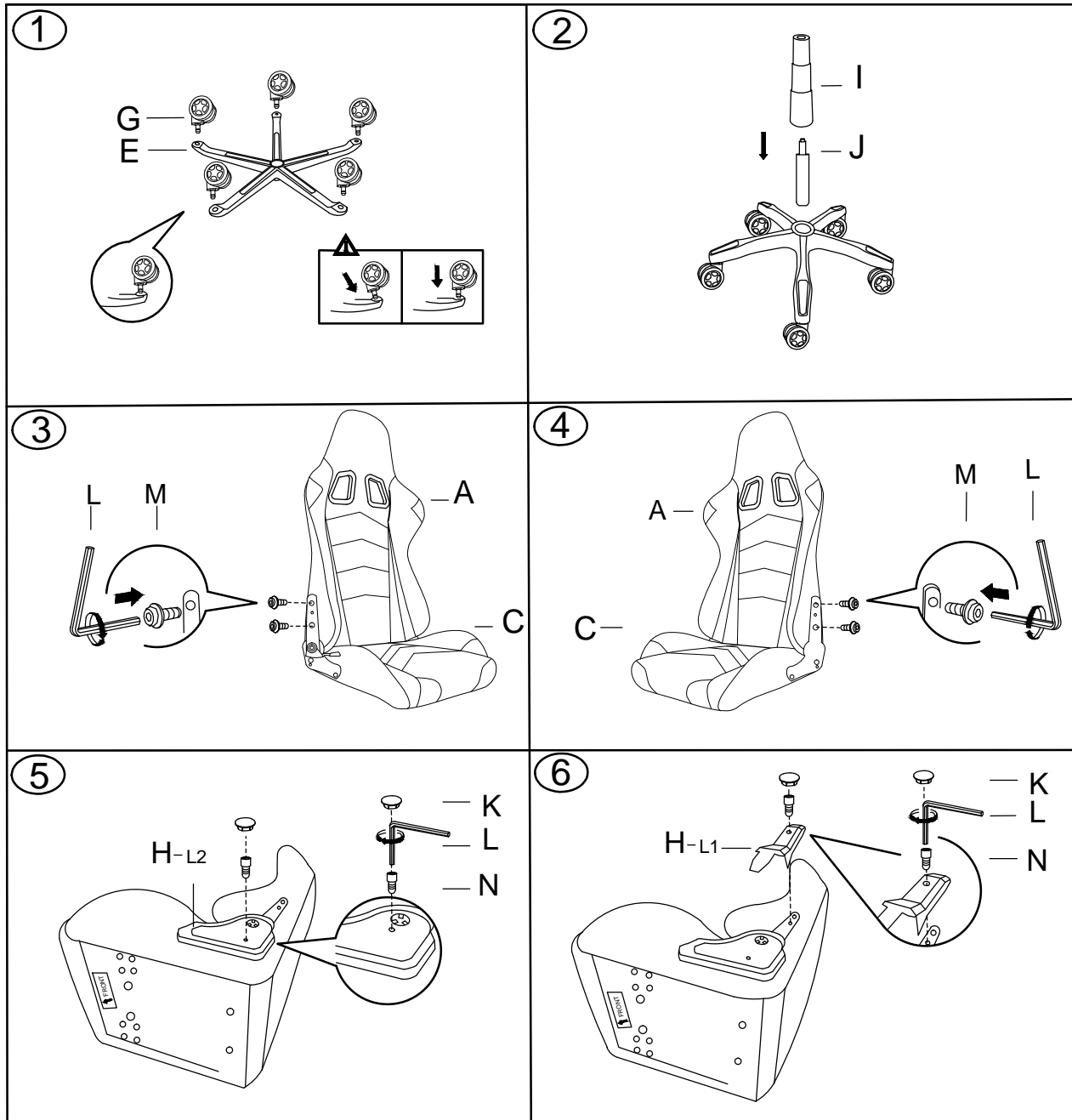


# Assembly Instructions

<b>(A)</b>  x1	<b>(H)</b>  x1
<b>(B)</b>  x1	<b>(I)</b>  x1
<b>(C)</b>  x1	<b>(J)</b>  x1
<b>(D)</b>  x1	<b>(K)</b>  x4
<b>(E)</b>  x1	<b>(L)</b>  x1
<b>(F)</b>  x1	<b>(M)</b>  x16 M8*20
<b>(G)</b>  x5	<b>(N)</b>  x4 M6*8



P/N:D1001001A01/02/04/05/06

