

La Réveuse

Powerful Juicer

LARB1812 Series User Manual



LARB1812

www.reveuseblender.com

—FOR HOUSEHOLD USE ONLY—



Table of Contents

Important Safeguards -----	03
Box Contents -----	05
Technical Specifications and Features -----	06
How to Assemble and Use -----	07
Maintenance & Clean -----	11
Trouble shooting -----	12
Warranty -----	13

IMPORTANT SAFEGUARDS

PLEASE READ ALL INSTRUCTIONS BEFORE OPERATING THE
La Réveuse POWERFUL CENTRIFUGAL JUICER AND SAVE
THESE INSTRUCTIONS.



WARNING-- To reduce the risk of fire, electric shock, or serious personal injury:

When using electrical appliances, basic safety precautions should always be followed including the following:

a) **READ ALL INSTRUCTIONS.**

b) To protect against risk of electrical shock do not put (state specific part or parts in question) in water or other liquid.

c) Close supervision is necessary when any appliance is used by or near children.

d) Unplug from outlet when not in use, before putting on or taking off parts, and before cleaning.

e) Avoid contacting moving parts.

f) Do not operate any appliance with a damaged cord or plug or after the appliance malfunctions, or is dropped or damaged in any manner. Return appliance to the nearest authorized service facility for examination , repair or electrical or mechanical adjustment.

g) The use of attachments not recommended or sold by the manufacturer may cause fire, electric shock or injury.

h) Do not use outdoors (this may be omitted if it is specially designed for outdoor use).

i) Do not let cord hang over edge of table or counter.

J) NEVER MICROWAVE THE APPLIANCE OR PARTS.

K) THE APPLIANCE AND PARTS CAN NOT BE WASHED BY DISHWASHER.

SAVE THESE INSTRUCTIONS



CAUTION-- To reduce the risk of personal injury or product/property damage:

- This product is intended for indoor, non-commercial, non-industrial use in processing foods for human consumption. Do not use the product outdoors or for any other purpose.
- Always operate the product on a flat, stable surface.
- Do not attempt to open any part of the Motor Housing.
- Do not let cord hang over edge of table or counter where it may be tripped over or pulled.

SPECIAL INSTRUCTIONS:

A short power supply cord is provided to reduce the risk of becoming entangled in or tripping over a longer cord. Extension cords are available and may be used if care is exercised in their use:

- The marked electrical rating must be at least as great as that of the product;
- If the product is of the grounding type, the extension cord must be a grounding-type 3-wire cord;

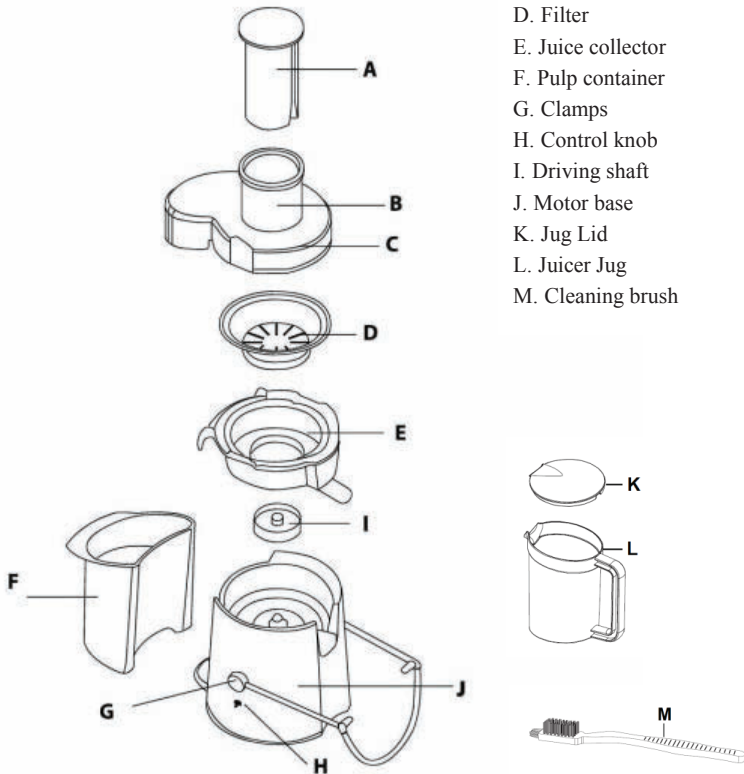
- Arrange the longer cord so that it will not drape over a countertop or tabletop where it can be tripped over, snagged, or pulled on unintentionally (especially by children).

Where can we use the **La Rêveuse** powerful juicer?

1. Always use your **La Rêveuse** powerful juicer on a clean, flat, hard, dry surface, never on cloth or paper, which may block the fan vents and cause overheating.
2. This appliance accessory is intended for household use only. Use for food or liquids only.
3. Do not use outdoors if exposed to inclement weather elements. Do not use in the rain or in wet conditions.
4. Do not let cord hang over edge of table or counter, or touch hot surfaces, including the stove.
5. Close supervision is necessary when any appliance is used by or near children.
6. The countertop or tabletop where it can be pulled on by children or accidentally tripped over.
7. Do not place on or near a hot gas or electric burner or in a heated oven.
8. Do not use appliance for other than intended use.

Box Contents

Parts



- A. Pusher
- B. Feeding tube
- C. Lid
- D. Filter
- E. Juice collector
- F. Pulp container
- G. Clamps
- H. Control knob
- I. Driving shaft
- J. Motor base
- K. Jug Lid
- L. Juicer Jug
- M. Cleaning brush

Note: Power cord and user guide are not shown here, but you will find them out in the box.

WARNING:

- Do not immerse the motor unit in water or any other liquid, nor rinse it under the tap.
- Check if the voltage indicated on the base of the appliance corresponds to the local mains voltage before you connect the appliance.
- Do not use the appliance if the plug, the mains cord or other components are damaged.

Technical Specifications and Features

Model No.: LARB1812

Voltage Rating: AC 120V

Frequency: 60Hz

Rating Power: 750W

How to Assemble and Use

Before using your juicer for the first time, remove and safely discard any packaging materials and labels. Ensure the power cord is unplugged. Thoroughly clean the parts that come into contact with food in warm, soapy water with a soft cloth before you use the appliance for the first time.

1. Place motor base on a flat, dry surface such as a countertop. Ensure that the juicer is switched to "0", and the power cord is unplugged.
2. Place the juice collector into the appliance.



3. Put the filter in the juice collector.



4. Place the pulp container by tilting it forwards slightly.



5. Hold the lid over the filter and lower it into position.



6. Snap the two clamps onto the lid to lock it into place.



Note: If this step is not installed well, the unit can not work

7. Wash the fruit and/or vegetable and cut them into pieces that fit into the feeding tube. (fig.6)
8. Make sure the juice jug has been placed under the spout.



9. Turn the control knob to setting 1 (low speed) or 2 (normal speed) to switch on the appliance (fig.7).
 - a. Speed 1 is especially suitable for soft fruits and vegetables such as watermelons, grapes, tomatoes, cucumbers and raspberries.
 - b. Speed 2 is suitable for all kinds of fruits and vegetable.
10. Put the pre-cut pieces in the feeding tube and gently press them down towards the rotating filter with the pusher (fig.8)

Note: Do not exert too much pressure on the pusher, as this could affect the quality of the end result and it could even cause the filter to come to a halt.

11. After you have processed all ingredients and the juice flow has stopped, switch off the appliance and wait until the filter has stopped rotating.

Note: Do not leave the appliance continuously running for more than 1 minute at a time. Allow it to have a rest between each use.

CAUTION!

Never use fingers, hands or utensils to push food down the feed chute or to clear the feed chute. Always use the pusher provided!

WARNING!

The stainless steel filter contains small sharp blades to cut and process fruits and vegetables. Avoid touching the blades when handling!



WARNING!

The stainless steel juice outlet is sharp. Handle with care!



TIPS:

- Use fresh fruit and vegetables, as they contain more juice. Pineapple, beetroots, celery stalks, apples, cucumbers, carrots, spinach, melons, tomatoes, pomegranates, oranges and grapes are particularly suitable for processing in the juice extractor.
- You do not have to remove thin peels or skins. Only thick peels, e.g. Those of oranges, pineapples and uncooked beetroots need to be removed. Also remove the white pith of citrus fruits because it has a bitter taste.
- Apple juice turns brown very quickly. To slow down this process, add a few drops of lemon juice.
- Fruits that contain starch, such as bananas, papayas, avocados, figs and mangoes are not suitable for processing in the juice extractor. Use a food processor, blender or to process these fruit.
- Leaves and leaf stalks of e.g. lettuce can also be processed in the juice extractor.

- Drink the juice immediately after you have extracted it. If it is exposed to air for some time, the juice will lose its taste and nutritional value.
- To extract the maximum amount of juice, always press the pusher down slowly.
- The juicer is not suitable for processing very hard and/or fibrous/starchy fruits or vegetables such as sugar cane.

WARNING: Always ensure the product is unplugged from the electrical outlet before relocating, assembling, disassembling, or cleaning it.

1. This appliance is not intended for use by persons (including children) with reduced physical, sensory or mental capabilities, or lack of experience and knowledge, unless they have been given supervision or instruction concerning use of the appliance by a person responsible for their safety.
2. This is not a toy or weapon. Keep out of reach of children.
3. If the supply cord is damaged, it must be replaced by the manufacture or its service agent or a similarly qualified person in order to avoid a hazard.
4. Do not immerse the motor unit in water or any other liquid, nor rinse it under the tap.
5. Check if the voltage indicated on the base of the appliance corresponds to the local mains voltage before you connect the appliance.
6. The damaged cord must be replaced before re-using.
7. Never let the appliance operate unattended.
8. Never reach into the feeding tube with your fingers or an object while the appliance is running. Only use the pusher for this purpose.
9. Make sure all parts are correctly mounted before you switch on the appliance. Only use the appliance when both clamps are locked.
10. Only unlock the clamps after you have switched off the appliance and the filter has stopped rotating.
11. Do not operate the juicer for more than 30 seconds at a time when juicing heavy loads and let it cool down sufficiently afterwards.
12. Do not remove the pulp container when the appliance is operating.
13. Always unplug the appliance after use.
14. This appliance has a polarized plug (one blade is wider than the other). To reduce the risk of electric shock, this plug will fit in a polarized outlet only one way. If the plug does not fit fully in the outlet, reverse the plug. If it still does not fit, contact a qualified electrician. Do not modify the plug in any way.

Maintenance and Clean

The appliance is easier to clean if you do so immediately after use.

When you are cleaning the appliance, you should pay attention to the following:

1. Removing the plug from the mains socket, and allowing the appliance to cool down completely before cleaning.
2. The best way to clean the motor section is with a slightly dampened cloth and, if necessary, a little detergent.
3. DO NOT immerse the motor section in any form of liquid. The juicer is NOT dishwasher safe.
4. Be careful the sharp parts in the bottom of the centrifuge bowl and the juice outlet.
5. Do not use scouring pads, steel wool or any form of strong solvents or abrasive cleaning agents to clean the appliance, as they can damage the external surfaces of the appliance.
6. Allowing to dry completely after cleaning. Do not use the appliance if it is damp.
7. Always cleaning the appliance before putting it away if it is not to be used for a prolonged period.

ENVIRONMENT:

Meaning of crossed-out wheeled dustbin:

Do not dispose of electrical appliances as unsorted municipal waste, use separate collection facilities.

Contact your local government for information regarding the collection systems available. If electrical appliances are disposed of in landfills or dumps, hazardous substances can leak into the groundwater and get into the food chain, damaging your health and well-being.

When replacing old appliances with new ones, the retailer is legally obligated to take back your old appliance for disposals at least free of charge.



Troubleshooting

<p>Juicer will not work when switched on</p>	<p>The safety locking arm may not be correctly engaged in the vertical operating position. Check the top cover is properly aligned and the locking arm is located firmly into the two grooves on either side of the juicer cover.</p> <p>Motor overloaded protection may have operated.(see below)</p>
<p>Overheating with excessive loads</p>	<p>The juicer is equipped with an internal self-resetting overload to prevent the motor from damage under heavy or continuous loads. If the motor suddenly stops working, turn off the juicer, and unplug the unit from the power outlet. Allow the juicer to cool for up to 30 minutes before operating again.</p> <p>NOTE: The unit MUST be unplugged from the power outlet in order for it to cool and be reset.</p> <p>Despite this overload protector, we suggest juicing in small batches, without excessive pushing force,to avoid overheating and stalling and to maintain the life of the motor.</p>
<p>Excess pulp building up in the stainless steel filter basket</p>	<p>Stop juicing, disassemble to scoop excess pulp off the juicer cover. Reassemble and continue juicing. Alternating soft and hard ingredients may help avoid this.</p>
<p>Pulp to wet and reduced extracted juice</p>	<p>The cleaner the filter, the better the juice yield, and dryer the pulp. Be sure to thoroughly clean the juicer as soon as possible after each use. Remove the stainless steel filter basket and thoroughly clean mesh walls with a cleaning brush. Rinse the filter basket under hot water. If the fine mesh holes are blocked, soak the basket in a solution of hot water with 10% lemon juice to unlock the holes. This will remove excess fiber build up (from fruit and vegetables) which could be inhibiting the flow.</p>
<p>Juice leaks between the rim of the juicer and the juicer cover</p>	<p>Try a slower juicing speed and push the food pusher down the feed chute more slowly.</p>
<p>Juicer sprays out from spout</p>	<p>The juice is being extracted too fast. Try a slow juicing speed (if possible) and push the food pusher down the feed chute more slowly.</p>

Warranty

We would like to thank you for choosing the **La Rêveuse** powerful juicer.

La Rêveuse will replace any part which fails 1 year from the date of original purchase, provided the failure is due to defect in material or workmanship under normal use within the operation specifications. The only exception shall be when proof of purchase or installation is provided and then

the warranty period shall be from the date thereof. **La Rêveuse** powerful juicer are warranted to be free from defects in materials and workmanship under normal use within the operation specifications for a period of 1 year limited warranty from the date of original purchase.

General Conditions **La Rêveuse**'s obligation to the customer under these warranties shall be limited, at its option, to replacement items covered by these warranties. Prior to return of covered items, the customer must obtain a return goods authorization number from **La Rêveuse**

and at **La Rêveuse**'s option, return the item freight prepaid at the customer's expense. Any covered item replaced under these warranties will be returned prepaid standard freight to the original point of shipment. Damage to any part of this slow juicer because of misuse, misapplication, negligence, alteration, accident, installation, or operation contrary to our instructions, incompatibility

with accessories not installed by **La Rêveuse**, or damage caused by freezing, flood, fire, or Acts of God are not covered by this warranty. In all such cases, regular charges will apply. This limited warranty does not include service to diagnose a claimed malfunction in this unit.

***IMPORTANT: Carefully pack item to avoid damage in shipping. Be sure to attach a tag with purchase information, include purchase date, your name, complete address, model number phone number, order ID and what you believe is the problem with the item before packing.**

Please contact with us if you need any support,
support@reveuseblender.com



