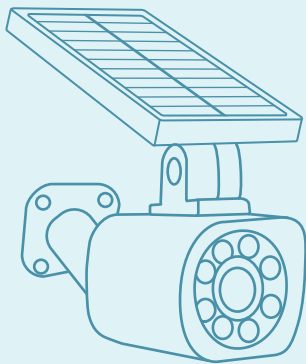




## Solar LED Motion Sensor Flood Light

- \*Solar Panel Charge
- \*Intelligent Light Control
- \*IP66 Waterproof
- \*Motion Detection Flood Light



Dummy Camera  
Imitation Monitoring

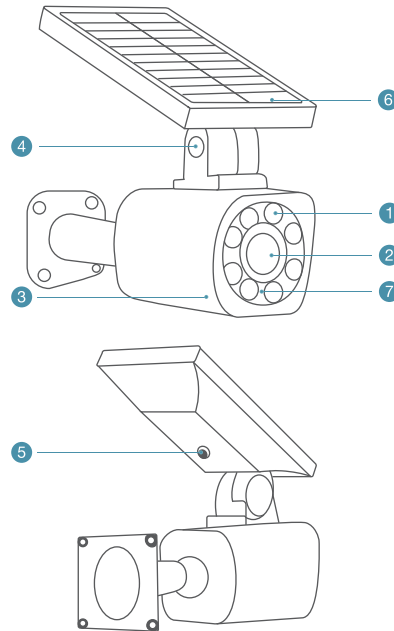


Ingress Protection  
Anti-theft



Illuminable  
flood light

1



- 1 LED Light
- 2 PIR Motion Sensor
- 3 Aluminum Alloy Design
- 4 Angle Adjustment Button
- 5 Start Switch
- 6 Solar Panel
- 7 Red Warning Light

2



1. IP66 Waterproof and Dustproof used in any harsh weather and Condition
2. Solar charging LED light for outdoor use with aluminum alloy solid structure and design. During the day: solar panel absorbs solar energy and convert it to be electricity and charge the lithium rechargeable battery to storage the power, At night: The battery release the energy to power on the LED light . It is designed to be recycle and environmental protection and energy saving !
3. Intelligent light control: dim light mode is automatically turned on at night(40LM).When motion detected 20-26ft in front of it, the high light mode (800LM ) is turned on. 20 seconds after the motion detected, it will switch to dim light mode again.
4. The Illumination range is up to 26ft.

3

## Installation

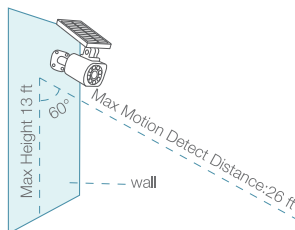
After receiving the light, long press the switch button 3 seconds on the bottom on the back of the solar panel to turn it on, and then fully cover the solar panel, if the light is on, that indicates the light is good and working. If the flood light is not on, please make sure to fully charge it in the sunshine, then operate again.

Use the screws and anchors in the package to install the light on the wall and cover the area you want to illuminate.

After installation, adjust the solar panel angle, and ensure that the panel can directly get the sunlight without any obstruction or glass barrier. In normal condition, it can be fully charged in 4 hours in ideal sunlight.

### Recommended Installation Height and Solar Light Camera

**Installation Angle:** the max motion detection distance of the motion sensor is 26ft. And the recommended solar light camera installation angle is 60 degree as shown below and the suggested max installation height is 13ft. For a better motion detection area, we suggest that the best installation height to be 7-11ft.



4

## Mode Selection

There are three modes for the light. After it is turned on and as default it is in mode 1. Short Click the switch button once, it will turn to be mode 2. Click once again it will be in mode 3. The three modes will recycle when clicking the switch button.

Mode 1. Dim light at night + Full light after motion detection.

Mode 2. No light at night + Full light after motion detection, a red light keeps flashing. (Note: This red light not turn on in other modes.)

Mode 3. Normally High light on at night, after 4 hours high light, it turns to be dim light.

## Motion Detection

After the mode is selected, when a person passing the light from 20-26 inches away, the motion sensor will work and detect the motion. And then switch the light to be high light mode. 20 seconds after the detected motion, it will turn off the high light and switch to the mode it is.

## Products Parameters

1. 2W 5V Solar Panel.
2. Battery Volume: 3.7V 2600 mAh.
3. Power: 5W LED.
4. Luminous flux: 800LM.

5

5. Color temperature: white (6500K).
6. Time interval: 15-20 seconds.
7. Switching modes: three modes, long press 3 seconds to turn on the light, short press 1 second to switch mode.
8. Size: 7.28\*3.35\*4.92 inch.
9. Product weight: 1.32 lb.
10. working temperature: -10-60 ° C.
11. Material: aluminum eco-friendly ABS Plastic.

## Notices:

1. Solar panel can be activated in the strong sunshine for 2-3 seconds, or fully charge it in the sunshine before using it.
2. Do not turn over and fold the solar panel too hard and so frequently.
3. Please install the solar flood light in a location that the solar panel can get the sunlight directly without any shelter or glass or shade caused by trees, buildings etc. If there is no good sunshine or in winter, it takes more time to charge, especially in the north countries.
4. The battery may be out of power if it is not in a good sunshine. If do not use it for long time, you can fully charge it in sunshine and charge it every 3 months, so that to extend the battery's life.
5. Working power of the solar panel will be influenced by weather, location etc.



www.techage.com  
support@techage.com

6